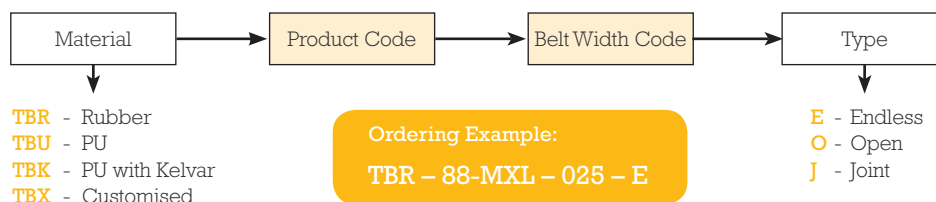


Belt Width Code	Belt Width
019	4.80
025	6.35
037	9.50
050	12.70

Dimension in mm

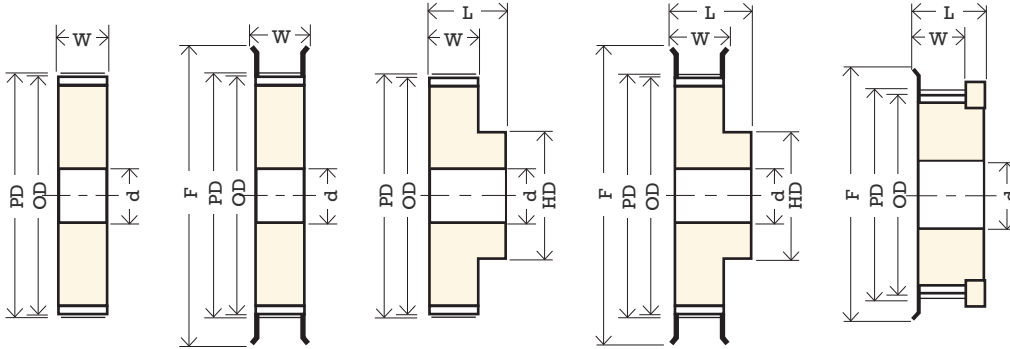
Teeth	Pitch Length mm	Product Code	Teeth	Pitch Length mm	Product Code	Teeth	Pitch Length mm	Product Code	Teeth	Pitch Length mm	Product Code
45	91.44	45-MXL	99	201.17	99-MXL	165	335.28	165-MXL	300	609.60	300-MXL
48	97.54	48-MXL	100	203.20	100-MXL	170	345.44	170-MXL	305	619.76	305-MXL
50	101.60	50-MXL	101	205.23	101-MXL	175	355.60	175-MXL	310	629.92	310-MXL
52	105.66	52-MXL	102	207.26	102-MXL	180	365.76	180-MXL	312	633.98	312-MXL
53	107.70	53-MXL	103	209.30	103-MXL	184	373.89	184-MXL	315	640.08	315-MXL
54	109.73	54-MXL	104	211.33	104-MXL	190	386.08	190-MXL	318	646.18	318-MXL
55	111.76	55-MXL	105	213.36	105-MXL	192	390.14	192-MXL	320	650.24	320-MXL
56	113.79	56-MXL	106	215.39	106-MXL	195	396.24	195-MXL	330	670.56	330-MXL
57	115.82	57-MXL	108	219.46	108-MXL	200	406.40	200-MXL	332	674.62	332-MXL
59	119.89	59-MXL	110	223.52	110-MXL	210	426.72	210-MXL	334	678.69	334-MXL
60	121.92	60-MXL	112	227.58	112-MXL	212	430.78	212-MXL	336	682.75	336-MXL
61	123.95	61-MXL	114	231.65	114-MXL	221	449.07	221-MXL	337	684.78	337-MXL
63	128.02	63-MXL	115	233.68	115-MXL	222	451.10	222-MXL	340	690.88	340-MXL
65	132.08	65-MXL	118	139.78	118-MXL	224	455.17	224-MXL	347	705.10	347-MXL
67	136.14	67-MXL	120	243.84	120-MXL	226	459.23	226-MXL	350	711.20	350-MXL
68	138.18	68-MXL	121	245.87	121-MXL	228	463.30	228-MXL	355	721.36	355-MXL
70	142.24	70-MXL	122	247.90	122-MXL	230	467.36	230-MXL	358	727.46	358-MXL
71	144.27	71-MXL	123	249.94	123-MXL	232	471.42	232-MXL	359	729.49	359-MXL
72	146.30	72-MXL	124	251.97	124-MXL	235	477.52	235-MXL	360	731.52	360-MXL
73	148.34	73-MXL	125	254.00	125-MXL	236	479.55	236-MXL	364	739.65	364-MXL
75	152.40	75-MXL	126	256.03	126-MXL	239	485.65	239-MXL	365	741.68	365-MXL
76	154.43	76-MXL	127	258.06	127-MXL	240	487.68	240-MXL	370	751.84	370-MXL
77	156.46	77-MXL	128	260.10	128-MXL	245	497.84	245-MXL	372	755.90	372-MXL
78	158.50	78-MXL	129	262.13	129-MXL	248	503.94	248-MXL	380	772.16	380-MXL
79	160.53	79-MXL	130	264.16	130-MXL	249	505.97	249-MXL	390	792.48	390-MXL
80	162.56	80-MXL	131	266.19	131-MXL	250	508.00	250-MXL	397	806.70	397-MXL
82	166.62	82-MXL	132	268.22	132-MXL	256	520.19	256-MXL	400	812.80	400-MXL
83	168.66	83-MXL	134	272.29	134-MXL	260	528.32	260-MXL	405	822.96	405-MXL
85	172.72	85-MXL	135	274.32	135-MXL	262	532.38	262-MXL	420	853.44	420-MXL
87	176.78	87-MXL	138	280.42	138-MXL	265	538.48	265-MXL	434	881.89	434-MXL
88	178.82	88-MXL	140	284.48	140-MXL	273	554.74	273-MXL	435	883.92	435-MXL
89	180.85	89-MXL	142	288.54	142-MXL	275	558.80	275-MXL	448	910.34	448-MXL
90	182.88	90-MXL	144	292.61	144-MXL	277	562.86	277-MXL	453	920.50	453-MXL
91	184.91	91-MXL	145	294.64	145-MXL	280	568.96	280-MXL	464	942.85	464-MXL
92	186.94	92-MXL	146	296.67	146-MXL	281	570.99	281-MXL	487	989.56	487-MXL
93	188.98	93-MXL	148	300.74	148-MXL	285	579.12	285-MXL	498	1011.94	498-MXL
94	191.01	94-MXL	150	304.80	150-MXL	288	585.22	288-MXL	500	1016.00	500-MXL
95	193.04	95-MXL	155	314.96	155-MXL	290	589.28	290-MXL	516	1048.51	516-MXL
96	195.07	96-MXL	158	321.06	158-MXL	295	599.44	295-MXL	525	1066.80	525-MXL
97	197.10	97-MXL	160	325.12	160-MXL	296	601.47	296-MXL	535	1087.12	535-MXL
98	199.14	98-MXL	162	329.18	162-MXL	297	603.50	297-MXL	550	1117.60	550-MXL

Contact **TZPLUS** for made to order / customised belt



- TBR - Rubber
- TBU - PU
- TBK - PU with Kelvar
- TBX - Customised

- E - Endless
- O - Open
- J - Joint



Belt Width Code	Belt Width
019	4.80
025	6.35
037	9.50
050	12.70

Type: 33

33F

6

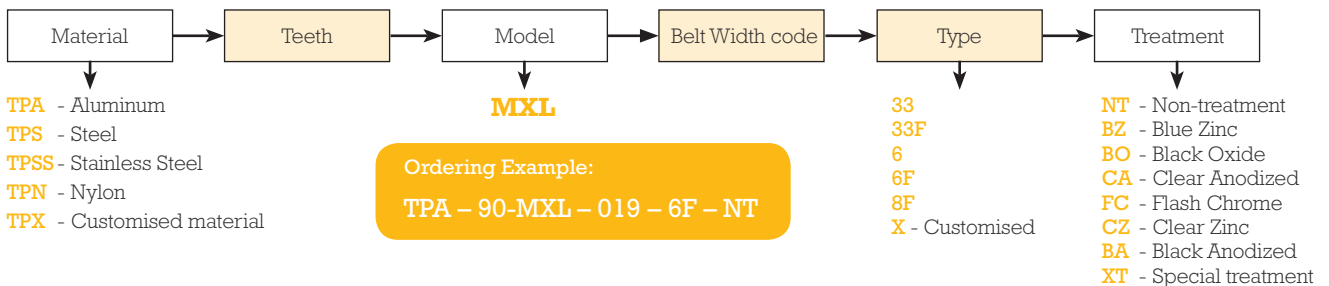
6F

8

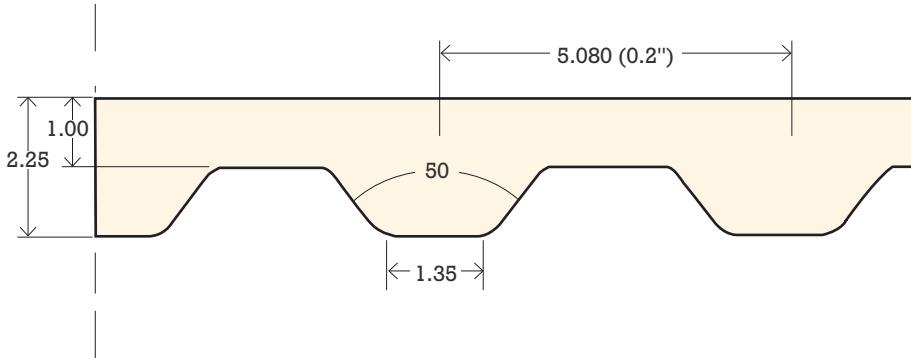
Dimension in mm

Teeth	PD	OD	F	HD	d	019 (4.80mm)		025 (6.35mm)		037 (9.50mm)		050 (12.70mm)		Type
						W	L	W	L	W	L	W	L	
12	7.76	7.25	14	12	-									
13	8.41	7.90	14	12	-									
14	9.06	8.55	14	13	-									
15	9.70	9.19	14	14	-									
16	10.35	9.84	14	14	-	9		9		12		15.20		8
17	11.00	10.49	14	15	-									33
18	11.64	11.13	14	15	-									33F
19	12.29	11.78	16	16	-									
20	12.94	12.43	16	16	-									
21	13.58	13.07	18	9	3									
22	14.23	13.72	18	9	3									
24	15.52	15.01	20	10	3									
25	16.17	15.66	20	10	3									
26	16.82	16.31	23	11	3									
27	17.46	16.95	23	11	3									
28	18.11	17.60	23	11	3									
30	19.40	18.89	25	14	4		16.50		18		22		25	
32	20.70	20.19	25	14	4									
36	23.29	22.78	28	16	4									
40	25.89	25.36	31	18	4									
42	27.17	26.66	31	18	5	11.50		11.50		15		18.00		33
44	28.46	27.95	33	18	5									33F
45	29.11	28.60	35	18	5									6
48	31.05	30.54	35	20	5									6F
50	32.34	31.83	38	20	5									
60	38.81	38.30	44	24	5									
64	41.40	40.89	48	25	6									
65	42.04	41.53	48	25	6									
70	45.28	44.77	51	25	6									
72	46.57	46.06	51	25	6									
75	48.51	48.00	55	26	6									
90	48.21	57.70	65	28	6									
110	71.15	70.64	78	30	6									

Contact **TZPLUS** for made to order / customised pulley



02  
04  
06  
08  
10  
12  
14  
16  
18  
20  
22  
24  
26  
28  
30



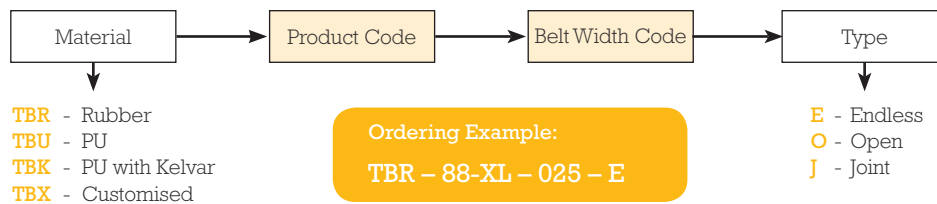
Belt Width Code	Belt Width
025	6.35
031	7.90
037	9.50
050	12.70
075	19.05

Dimension in mm

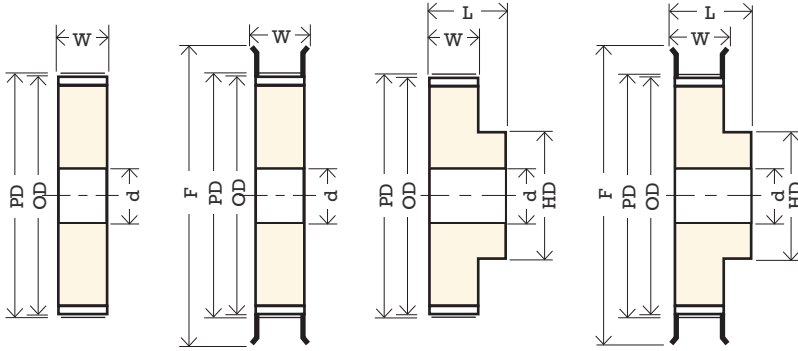
**32**

Teeth	Pitch Length mm	Product Code	Teeth	Pitch Length mm	Product Code	Teeth	Pitch Length mm	Product Code
30	152.40	60-XL	72	365.76	144-XL	115	584.20	230-XL
34	172.72	68-XL	73	370.84	146-XL	117	594.36	234-XL
35	177.80	70-XL	74	375.92	148-XL	120	609.60	240-XL
38	193.04	76-XL	75	381.00	150-XL	125	635.00	250-XL
39	198.12	78-XL	76	386.08	152-XL	130	660.40	260-XL
40	203.20	80-XL	77	391.16	154-XL	135	685.80	270-XL
42	213.36	84-XL	78	396.24	156-XL	138	701.04	276-XL
44	223.52	88-XL	79	401.32	158-XL	140	711.20	280-XL
45	228.60	90-XL	80	406.40	160-XL	141	716.28	282-XL
46	233.68	92-XL	81	411.48	162-XL	145	736.60	290-XL
47	238.76	94-XL	82	416.56	164-XL	150	762.00	300-XL
48	243.84	96-XL	83	421.64	166-XL	155	787.40	310-XL
49	248.92	98-XL	84	426.72	168-XL	157	797.56	314-XL
50	254.00	100-XL	85	431.80	170-XL	160	812.80	320-XL
51	259.08	102-XL	86	436.88	172-XL	165	838.20	330-XL
52	264.16	104-XL	87	441.96	174-XL	170	863.60	340-XL
54	274.32	108-XL	88	447.04	176-XL	174	883.92	348-XL
55	279.40	110-XL	89	452.12	178-XL	176	894.08	352-XL
56	284.48	112-XL	90	457.20	180-XL	180	914.40	360-XL
57	289.56	114-XL	91	462.28	182-XL	185	939.80	370-XL
58	294.64	116-XL	92	467.36	184-XL	188	955.04	376-XL
59	299.72	118-XL	94	477.52	188-XL	192	975.36	384-XL
60	304.80	120-XL	95	482.60	190-XL	194	985.52	388-XL
61	309.88	122-XL	97	492.76	194-XL	195	990.60	390-XL
62	314.96	124-XL	98	497.84	196-XL	198	1005.84	396-XL
63	320.04	126-XL	99	502.92	198-XL	212	1076.96	424-XL
64	325.12	128-XL	100	508.00	200-XL	230	1168.40	460-XL
65	330.20	130-XL	101	513.08	202-XL	245	1244.60	490-XL
67	340.36	134-XL	103	523.24	206-XL	282	1432.56	564-XL
68	345.44	136-XL	105	533.40	210-XL	296	1503.68	592-XL
69	350.52	138-XL	106	538.48	212-XL	315	1600.20	630-XL
70	355.60	140-XL	110	538.80	220-XL	414	2103.12	828-XL
71	360.68	142-XL	114	578.12	228-XL	430	2184.40	860-XL

Contact **TZPLUS** for made to order / customised belt



136



Belt Width Code	Belt Width
025	6.35
031	7.90
037	9.50
050	12.70
075	19.05

Type: 33

33F

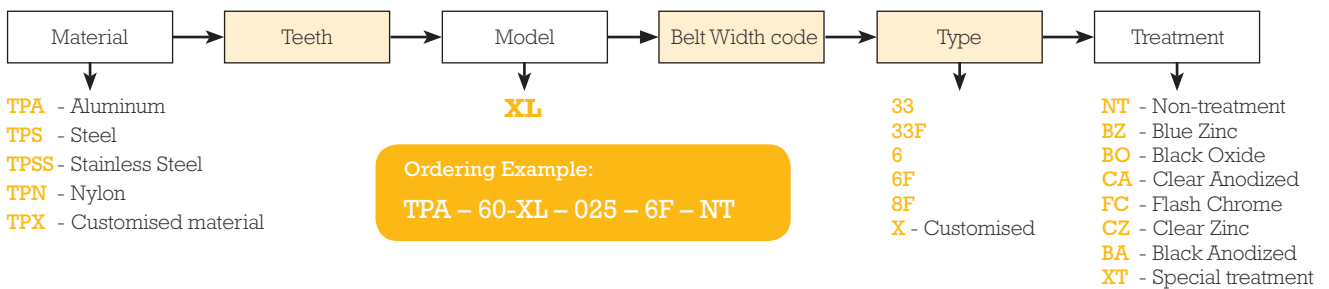
6

6F

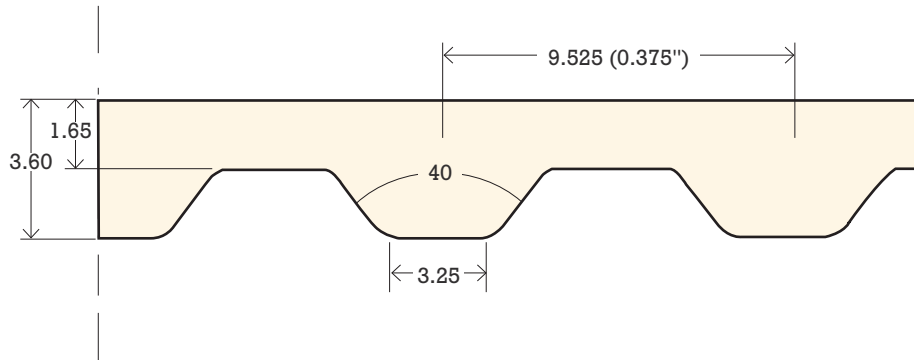
Dimension in mm

Teeth	PD	OD	F	HD	d	025 (6.35mm)		031 (7.90mm)		037 (9.50mm)		050 (12.70mm)		075 (19.05mm)		Type
						W	L	W	L	W	L	W	L	W	L	
10	16.17	15.66	20	10	4											
11	17.79	17.28	23	11	4											
12	19.40	18.89	25	13	4											
13	21.02	20.51	25	13	5											
14	22.64	22.13	28	16	5											
15	24.26	23.75	28	16	5											
16	25.87	25.36	33	20	5											
17	27.49	26.98	33	20	5											
18	29.11	28.60	35	22	5											
19	30.72	30.21	35	22	5											
20	32.34	31.83	38	24	5											
21	33.96	33.45	38	24	5											
22	35.58	35.07	41	25	6											
24	38.81	38.30	44	30	6											
25	40.43	39.92	48	30	6											
26	42.04	41.53	48	30	8											
27	43.66	43.15	48	34	8											
28	45.28	44.77	51	34	8											
29	46.89	46.38	51	34	8	12.50	21	14	23	16	25	19	28	24	35	33 33F 6 6F
30	48.51	48.00	54	38	8											
32	51.75	51.24	57	38	8											
34	54.98	54.47	61	45	8											
35	56.60	56.09	61	45	8											
36	58.21	57.70	65	45	8											
38	61.45	60.94	70	45	8											
40	64.68	64.17	70	45	8											
42	67.92	67.41	75	45	8											
44	71.15	70.64	78	45	8											
45	72.77	72.26	78	45	8											
46	74.38	73.87	83	45	8											
48	77.62	77.11	83	45	10											
50	80.85	80.34	87	45	10											
52	84.09	83.58	91	45	10											
56	90.56	90.05	97	45	10											
60	97.02	96.51	105	45	10											
64	103.49	102.98	112	45	10											
72	116.43	115.92	120	45	10											

Contact **TZPLUS** for made to order / customised pulley



01  
03  
05  
07  
09  
11  
13  
15  
17  
19  
21  
23  
25  
27  
29  
31  
**33**  
35  
37  
39  
41  
43  
45  
47  
49  
51  
53  
55  
57  
59  
61  
63  
65  
67  
69  
71  
73  
75  
77  
79  
81  
83  
85  
87  
89  
91  
93  
95  
97  
99  
101  
103  
105  
107  
109  
111  
113  
115  
117  
119  
121  
123  
125  
127  
129  
131  
133  
135  
137

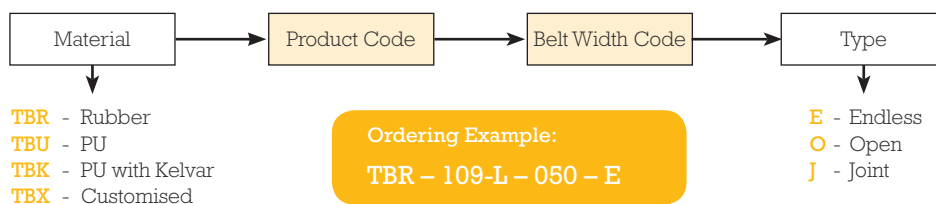


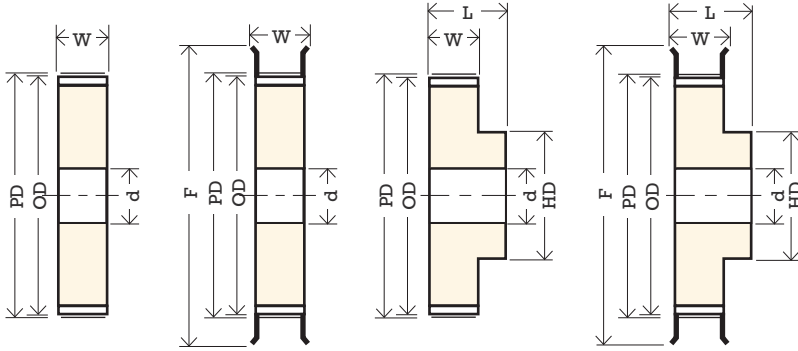
Belt Width Code	Belt Width
050	12.70
075	19.05
100	25.40
150	38.10

Dimension in mm

Teeth	Pitch Length mm	Product Code	Teeth	Pitch Length mm	Product Code
29	276.23	109-L	98	933.45	367-L
33	314.33	124-L	100	952.50	375-L
36	342.90	135-L	102	971.55	382-L
40	381.00	150-L	104	990.60	390-L
44	419.10	165-L	105	1000.13	394-L
50	476.25	187-L	112	1066.80	420-L
56	533.40	210-L	114	1085.85	427-L
60	571.50	225-L	120	1143.00	450-L
64	609.60	240-L	128	1219.20	480-L
68	647.70	255-L	136	1295.40	510-L
72	685.80	270-L	140	1333.50	525-L
74	704.85	277-L	144	1371.60	540-L
76	723.90	285-L	146	1390.65	548-L
80	762.00	300-L	155	1476.38	581-L
85	809.63	320-L	160	1524.00	600-L
86	819.15	322-L	168	1600.20	630-L
89	847.73	334-L	174	1657.35	653-L
90	857.25	337-L	176	1676.40	660-L
92	876.30	345-L	186	1771.65	697-L
96	914.40	360-L	195	1857.38	731-L

Contact **TZPLUS** for made to order / customised belt





Belt Width Code	Belt Width
050	12.70
075	19.05
100	25.40
150	38.10

Type: 33

33F

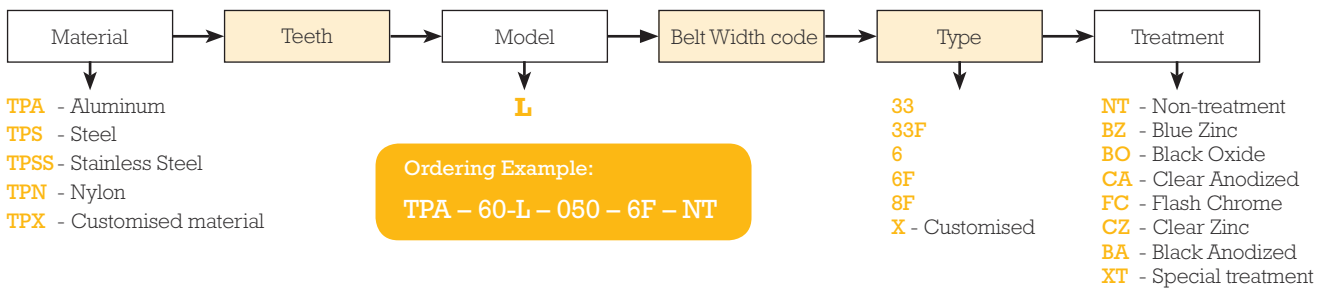
6

6F

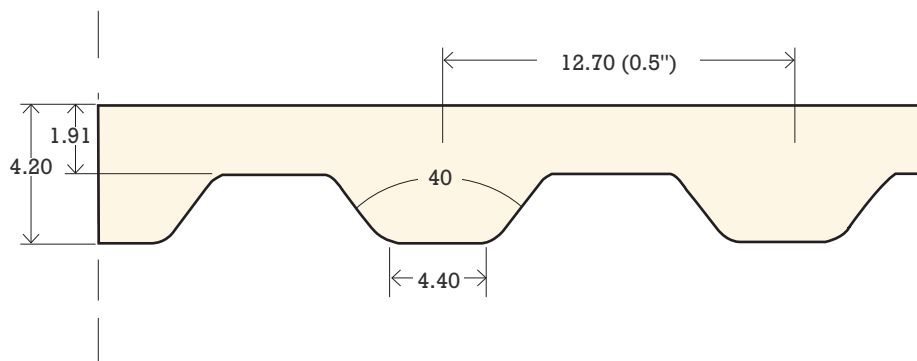
Dimension in mm

Teeth	PD	OD	F	HD	d	050 (12.70mm)		075 (19.05mm)		100 (25.40mm)		150 (38.10mm)		Type
						W	L	W	L	W	L	W	L	
10	30.32	29.55	35	20	8									
11	33.35	32.58	38	24	8									
12	36.38	35.61	41	26	8									
13	39.42	38.65	44	28	8									
14	42.45	41.68	48	28	8									
15	45.48	44.71	51	34	8									
16	48.51	47.74	54	36	8									
17	51.54	50.77	57	36	10									
18	54.58	53.81	61	40	10									
19	57.61	56.84	61	40	10									
20	60.64	59.87	65	45	10									
21	63.67	62.90	70	45	10									
22	66.70	65.93	75	45	10									
23	69.74	68.97	78	55	12									
24	72.77	72.00	78	55	12									
25	75.80	75.03	83	58	12	19	31	26	38	32	44	45	57	33
26	78.83	78.06	87	58	12									33F
27	81.86	81.09	87	58	12									6
28	84.90	84.13	91	58	12									6F
29	87.93	87.16	93	58	12									
30	90.96	90.19	97	70	12									
32	97.02	96.25	105	70	12									
34	103.09	102.32	112	70	12									
35	106.12	105.35	112	70	12									
36	109.15	108.38	115	70	12									
40	121.28	120.51	126	70	15									
42	127.34	126.57	136	70	15									
44	133.41	132.64	146	70	15									
45	136.44	135.67	146	70	15									
48	145.54	144.77	152	70	15									
60	181.92	181.15	200	70	15									
72	218.30	217.53	224	70	15		39		46		53			

Contact **TZPLUS** for made to order / customised pulley



01  
03  
05  
07  
09  
11  
13  
15  
17  
19  
21  
23  
25  
27  
29  
31  
33  
**35**  
37  
39  
41  
43  
45  
47  
49  
51  
53  
55  
57  
59  
61  
63  
65  
67  
69  
71  
73  
75  
77  
79  
81  
83  
85  
87  
89  
91  
93  
95  
97  
99  
101  
103  
105  
107  
109  
111  
113  
115  
117  
119  
121  
123  
125  
127  
129  
131  
133  
135  
137

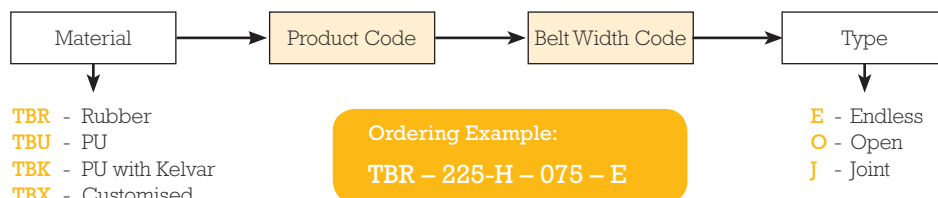


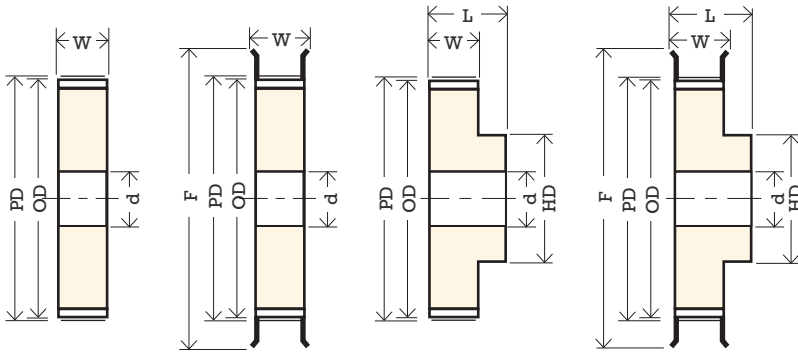
Belt Width Code	Belt Width
075	19.05
100	25.40
150	38.10
200	50.80

Dimension in mm

Teeth	Pitch Length mm	Product Code	Teeth	Pitch Length mm	Product Code
45	571.50	225-H	112	1422.40	560-H
46	584.20	230-H	114	1447.80	570-H
48	609.50	240-H	120	1524.00	600-H
49	622.30	245-H	121	1536.70	605-H
54	685.80	270-H	126	1600.20	630-H
56	711.20	280-H	128	1625.60	640-H
60	762.00	300-H	130	1651.00	650-H
62	787.40	310-H	132	1676.40	660-H
63	800.10	315-H	136	1727.20	680-H
64	812.80	320-H	140	1778.00	700-H
66	838.20	330-H	150	1905.00	750-H
68	863.60	340-H	154	1955.80	770-H
70	889.00	350-H	160	2032.00	800-H
72	914.40	360-H	162	2057.40	810-H
74	939.80	370-H	168	2133.60	840-H
75	952.50	375-H	170	2159.00	850-H
78	990.60	390-H	172	2184.40	860-H
80	1016.00	400-H	176	2235.20	880-H
82	1041.40	410-H	180	2286.00	900-H
84	1066.80	420-H	190	2413.00	950-H
86	1092.20	430-H	200	2540.00	1000-H
90	1143.00	450-H	220	2794.00	1100-H
93	1181.10	465-H	226	2870.20	1130-H
96	1219.20	480-H	250	3175.00	1250-H
98	1244.60	490-H	265	3365.50	1325-H
102	1295.40	510-H	270	3429.00	1350-H
106	1346.20	530-H	280	3556.00	1400-H
108	1371.60	540-H	340	4318.00	1700-H

Contact **TZPLUS** for made to order / customised belt





Belt Width Code	Belt Width
075	19.05
100	25.40
150	38.10
200	50.80

Type: 33

33F

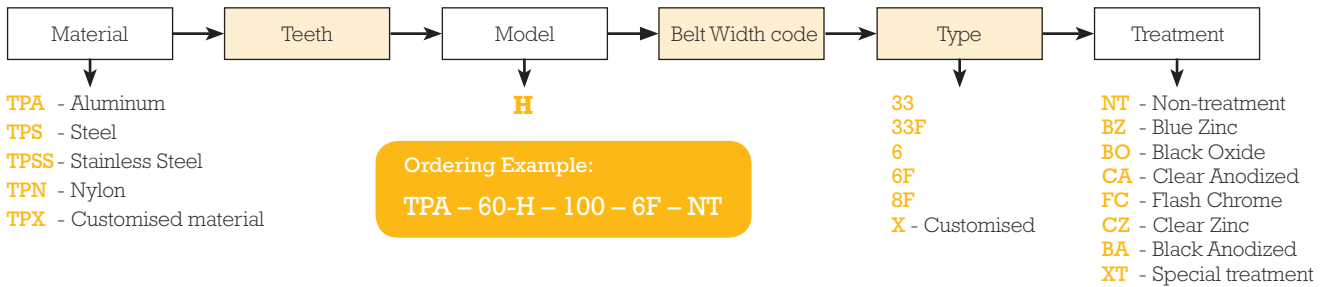
6

6F

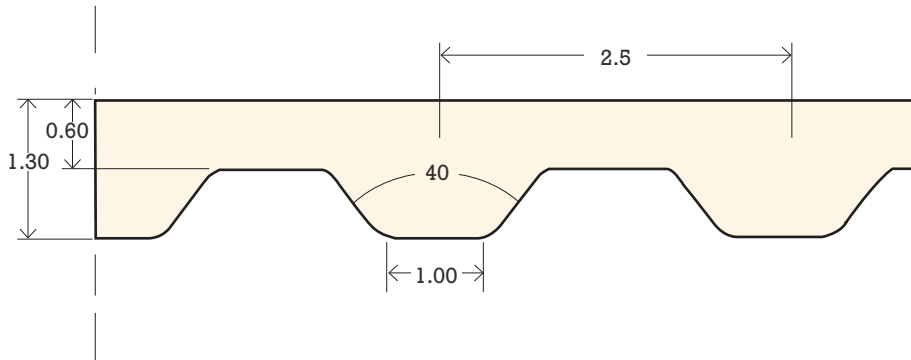
Dimension in mm

Teeth	PD	OD	F	HD	d	075 (19.05mm)		100 (25.40mm)		150 (38.10mm)		200 (50.80mm)		Type
						W	L	W	L	W	L	W	L	
14	56.60	55.22	61	40	14									33 33F 6 6F
15	60.64	59.26	65	45	14									
16	64.68	63.30	70	45	14									
17	68.73	67.35	75	45	14									
18	72.77	71.39	78	55	14									
19	76.81	75.43	83	60	14									
20	80.85	79.47	87	62	14									
21	84.90	83.52	91	65	14									
22	88.94	87.56	93	68	14									
23	92.98	91.60	97	72	14									
24	97.02	95.64	105	72	20			47		60				
25	101.07	99.69	105	72	20									
26	105.11	103.73	112	80	20									
27	109.15	107.77	115	80	20									
28	113.19	111.81	118	80	20	26	41	32		45		59	74	
29	117.24	115.86	125	80	20									
30	121.28	119.90	125	80	20									
32	129.36	127.98	136	80	20									
34	137.45	136.07	146	80	20									
35	141.49	140.11	146	80	20									
36	145.54	144.16	152	80	20									
38	153.62	152.24	160	80	20									
40	161.71	160.33	170	80	20									
42	169.79	168.41	175	80	20									
44	177.88	176.50	184	80	20			53		65				
45	181.92	180.54	192	80	20									
48	194.05	192.67	200	90	20									
60	242.56	241.18	260	90	20									
72	291.07	289.69	-	100	20			58		70				

Contact **TZPLUS** for made to order / customised pulley





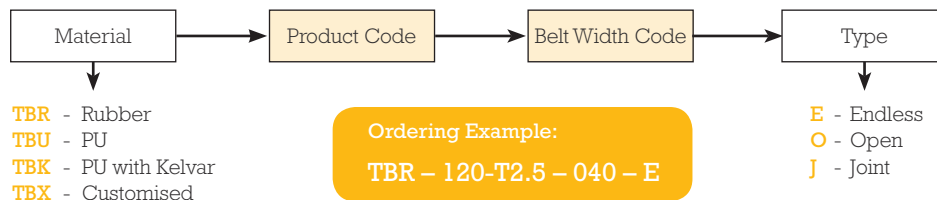


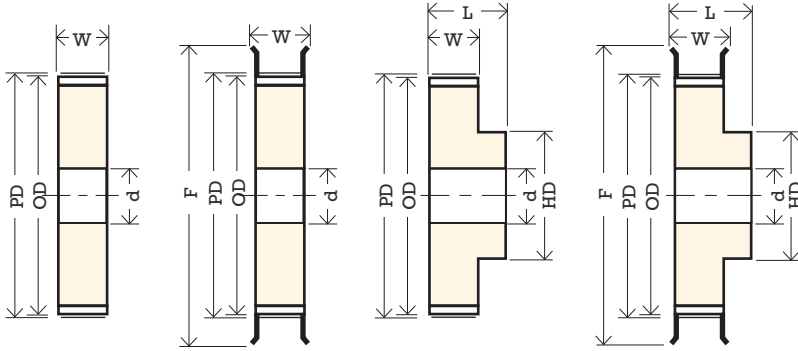
Belt Width Code	Belt Width
040	4
060	6
080	8
100	10
120	12

Dimension in mm

Teeth	Pitch Length mm	Product Code	Teeth	Pitch Length mm	Product Code
48	120	120-T2.5	152	380	380-T2.5
58	145	145-T2.5	168	420	420-T2.5
64	160	160-T2.5	192	480	480-T2.5
71	177.5	177X-T2.5	200	500	500-T2.5
72	180	180-T2.5	216	540	540-T2.5
73	182.5	182X-T2.5	240	600	600-T2.5
80	200	200-T2.5	248	620	620-T2.5
90	225	225-T2.5	260	650	650-T2.5
92	230	230-T2.5	272	680	680-T2.5
98	245	245-T2.5	280	700	700-T2.5
100	250	250-T2.5	312	780	780-T2.5
106	265	265-T2.5	352	880	880-T2.5
114	285	285-T2.5	366	915	915-T2.5
116	290	290-T2.5	380	950	950-T2.5
122	305	305-T2.5	474	1185	1185-T2.5
127	317.5	317X-T2.5	520	1300	1300-T2.5
132	330	330-T2.5			

Contact **TZPLUS** for made to order / customised belt





Belt Width Code	Belt Width
040	4
060	6
080	8
100	10
120	12

Type: 33

33F

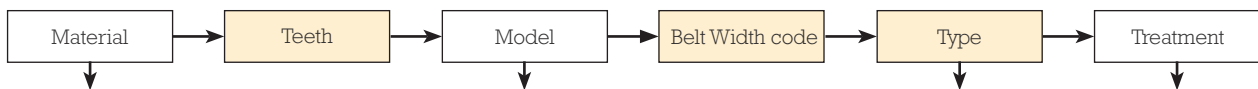
6

6F

Dimension in mm

Teeth	PD	OD	F	HD	d	040 (4mm)		060 (6mm)		080 (8mm)		100 (10mm)		120 (12mm)		Type
						W	L	W	L	W	L	W	L	W	L	
12	9.55	9.03	14	12	-											33 33F 6 6F
14	11.14	10.62	14	14	-											
15	11.94	11.42	14	15	-											
16	12.73	12.21	16	16	-											
18	14.32	13.80	18	9	-											
19	15.12	14.60	18	9	-											
20	15.92	15.40	20	10	-											
22	17.51	16.99	23	11	-											
23	18.30	17.78	23	11	-											
24	19.10	18.58	23	11	3											
25	19.89	19.37	23	11	3											
26	20.69	20.17	25	14	4											
28	22.28	21.76	25	14	4											
30	23.87	23.35	28	16	4											
32	25.47	24.95	31	16	6											
34	27.06	26.54	31	16	6	8	14	10	16	12	18	14	20	16	22	
35	27.85	27.33	31	16	6											
36	28.65	28.13	35	20	6											
38	30.24	29.72	35	20	6											
40	31.83	31.31	38	22	6											
42	33.42	32.90	38	22	6											
44	35.02	34.50	41	24	6											
45	35.81	35.29	41	24	6											
48	38.20	37.68	43	26	6											
50	39.79	39.27	44	26	6											
60	47.75	47.23	51	34	8											
65	51.73	51.21	57	34	8											
70	55.71	55.19	61	35	8											
72	57.30	56.78	61	35	8											
90	71.62	71.10	78	40	8											
100	79.58	79.06	87	50	8											

Contact **TZPLUS** for made to order / customised pulley



- TPA - Aluminum
- TPS - Steel
- TPSS - Stainless Steel
- TPN - Nylon
- TPX - Customised material

**T2.5**

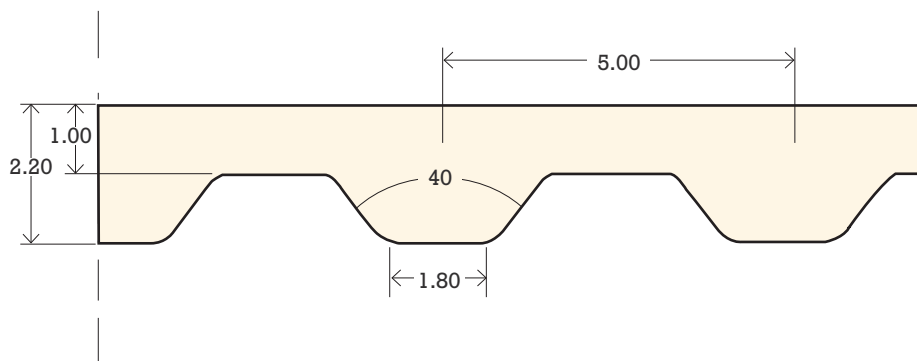
Ordering Example:

TPA - 65-T2.5 - 040 - 6F - NT

- 33
- 33F
- 6
- 6F
- 8F
- X - Customised

- NT - Non-treatment
- BZ - Blue Zinc
- BO - Black Oxide
- CA - Clear Anodized
- FC - Flash Chrome
- CZ - Clear Zinc
- BA - Black Anodized
- XT - Special treatment

01  
03  
05  
07  
09  
11  
13  
15  
17  
19  
21  
23  
25  
27  
29  
31  
33  
35  
37  
**39**  
41  
43  
45  
47  
49  
51  
53  
55  
57  
59  
61  
63  
65  
67  
69  
71  
73  
75  
77  
79  
81  
83  
85  
87  
89  
91  
93  
95  
97  
99  
101  
103  
105  
107  
109  
111  
113  
115  
117  
119  
121  
123  
125  
127  
129  
131  
133  
135  
137

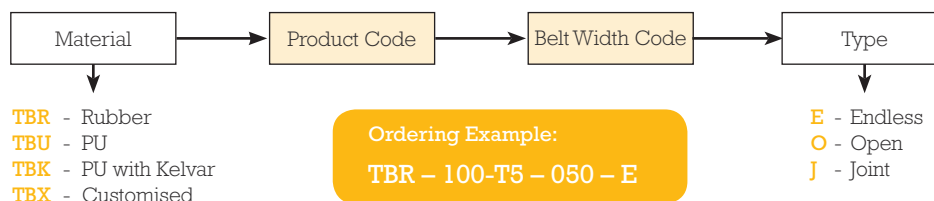


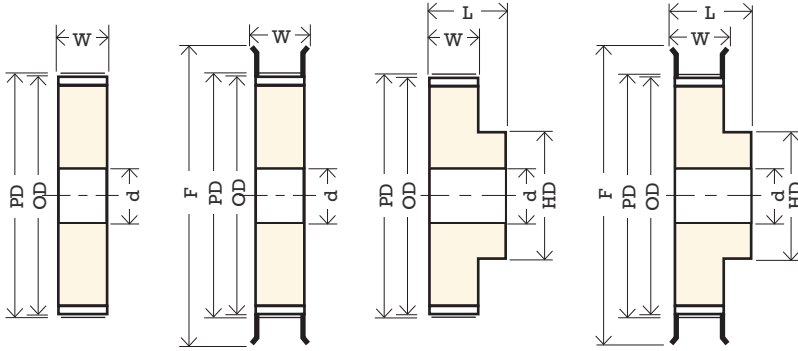
Belt Width Code	Belt Width
050	5
100	10
150	15
200	20
250	25

Dimension in mm

Teeth	Pitch Length mm	Product Code	Teeth	Pitch Length mm	Product Code	Teeth	Pitch Length mm	Product Code	Teeth	Pitch Length mm	Product Code
20	100	100-T5	82	410	410-T5	150	750	750-T5	280	1400	1400-T5
24	120	120-T5	84	420	420-T5	151	755	755-T5	300	1500	1500-T5
30	150	150-T5	85	425	425-T5	153	765	765-T5	316	1580	1580-T5
33	165	165-T5	87	435	435-T5	156	780	780-T5	320	1600	1600-T5
36	180	180-T5	88	440	440-T5	160	800	800-T5	340	1700	1700-T5
37	185	185-T5	90	450	450-T5	163	815	815-T5	360	1800	1800-T5
40	200	200-T5	91	455	455-T5	166	830	830-T5	380	1900	1900-T5
42	210	210-T5	92	460	460-T5	168	840	840-T5	391	1955	1955-T5
43	215	215-T5	95	475	475-T5	170	850	850-T5	400	2000	2000-T5
44	220	220-T5	96	480	480-T5	172	860	860-T5	424	2120	2120-T5
45	225	225-T5	100	500	500-T5	177	885	885-T5	448	2240	2240-T5
48	240	240-T5	101	505	505-T5	180	900	900-T5	472	2360	2360-T5
49	245	245-T5	102	510	510-T5	185	925	925-T5	500	2500	2500-T5
50	250	250-T5	103	515	515-T5	188	940	940-T5	530	2650	2650-T5
51	255	255-T5	105	525	525-T5	189	945	945-T5	560	2800	2800-T5
52	260	260-T5	109	545	545-T5	196	980	980-T5	600	3000	3000-T5
54	270	270-T5	110	550	550-T5	198	990	990-T5	630	3150	3150-T5
55	275	275-T5	112	560	560-T5	200	1000	1000-T5	670	3350	3350-T5
56	280	280-T5	115	575	575-T5	208	1040	1040-T5	690	3450	3450-T5
59	295	295-T5	118	590	590-T5	215	1075	1075-T5	750	3750	3750-T5
60	300	300-T5	120	600	600-T5	218	1090	1090-T5	800	4000	4000-T5
61	305	305-T5	122	610	610-T5	220	1100	1100-T5	850	4250	4250-T5
65	325	325-T5	124	620	620-T5	223	1115	1115-T5	900	4500	4500-T5
66	330	330-T5	125	625	625-T5	232	1160	1160-T5	950	4750	4750-T5
68	340	340-T5	126	630	630-T5	240	1200	1200-T5	1000	5000	5000-T5
70	350	350-T5	130	650	650-T5	243	1215	1215-T5	1060	5300	5300-T5
71	355	355-T5	132	660	660-T5	255	1275	1275-T5	1120	5600	5600-T5
73	365	365-T5	135	675	675-T5	256	1280	1280-T5	1200	6000	6000-T5
74	370	370-T5	138	690	690-T5	263	1315	1315-T5	1260	6300	6300-T5
75	375	375-T5	140	700	700-T5	270	1350	1350-T5	1340	6700	6700-T5
78	390	390-T5	144	720	720-T5	271	1355	1355-T5	1420	7100	7100-T5
80	400	400-T5	145	725	725-T5	276	1380	1380-T5	1500	7500	7500-T5

Contact **TZPLUS** for made to order / customised belt





Belt Width Code	Belt Width
050	5
100	10
150	15
200	20
250	25

Type: 33

33F

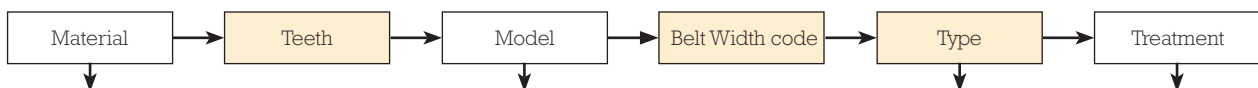
6

6F

Dimension in mm

Teeth	PD	OD	F	HD	d	050 (5mm)		100 (10mm)		150 (15mm)		200 (20mm)		250 (25mm)		Type
						W	L	W	L	W	L	W	L	W	L	
10	15.92	15.09	20	10	4											
11	17.51	16.68	23	11	4											
12	19.10	18.27	23	11	4											
13	20.69	19.86	25	11	4											
14	22.28	21.45	25	14	4											
15	23.87	23.04	28	16	6											
16	25.47	24.64	31	18	6											
18	28.65	27.82	33	20	6											
19	30.24	29.41	35	22	6											
20	31.83	31.00	38	23	6											
22	35.02	34.19	38	24	6											
24	38.20	37.37	42	26	6											
25	39.79	38.96	44	26	6											
26	41.38	40.55	44	26	6											
27	42.97	42.14	48	30	6											
28	44.56	43.73	48	32	8											
30	47.75	46.92	51	34	8	12	18	15	21	21	27	25	31	30	36	33 33F 6 6F
32	50.93	50.10	55	37	8											
36	57.30	56.47	61	38	8											
38	60.48	59.65	65	38	8											
40	63.66	62.83	67	40	8											
42	66.85	66.02	70	40	8											
44	70.03	69.20	75	45	8											
45	71.62	70.79	78	45	8											
48	76.40	75.57	83	50	8											
50	79.58	78.75	87	50	8											
60	95.50	94.67	105	65	8											
64	101.86	101.03	112	70	8											
72	114.59	113.76	120	80	8											
80	127.33	126.50	136	90	8											
90	143.24	142.41	152	100	8											
100	159.16	158.33	165	110	8											

Contact **TZPLUS** for made to order / customised pulley



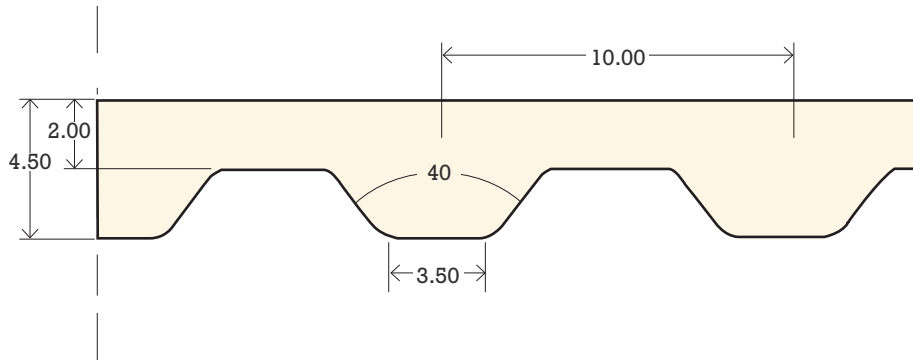
- TPA - Aluminum
- TPS - Steel
- TPSS - Stainless Steel
- TPN - Nylon
- TPX - Customised material

Ordering Example:  
TPA - 50-T5 - 050 - 6F - NT

- 33
- 33F
- 6
- 6F
- 8F
- X - Customised

- NT - Non-treatment
- BZ - Blue Zinc
- BO - Black Oxide
- CA - Clear Anodized
- FC - Flash Chrome
- CZ - Clear Zinc
- BA - Black Anodized
- XT - Special treatment

01  
03  
05  
07  
09  
11  
13  
15  
17  
19  
21  
23  
25  
27  
29  
31  
33  
35  
37  
39  
**41**  
43  
45  
47  
49  
51  
53  
55  
57  
59  
61  
63  
65  
67  
69  
71  
73  
75  
77  
79  
81  
83  
85  
87  
89  
91  
93  
95  
97  
99  
101  
103  
105  
107  
109  
111  
113  
115  
117  
119  
121  
123  
125  
127  
129  
131  
133  
135  
137

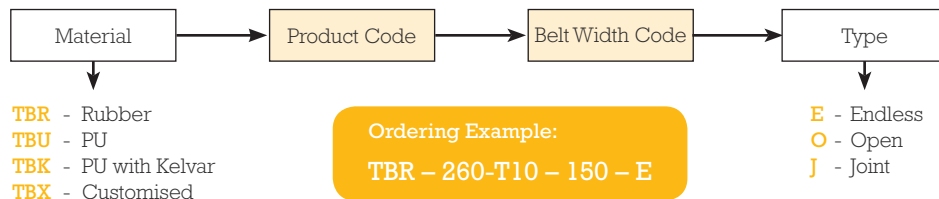


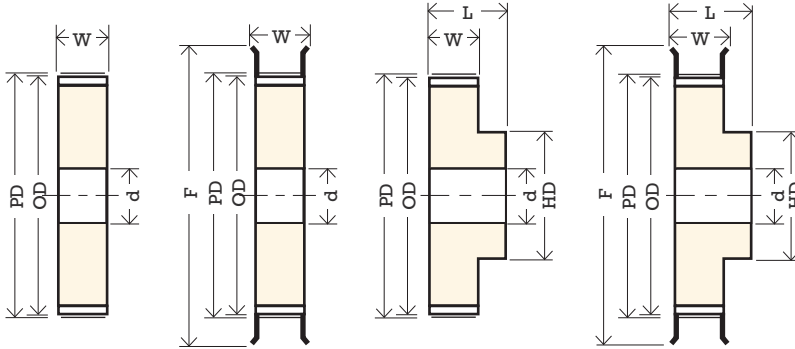
Belt Width Code	Belt Width
150	15
200	20
250	25
300	30
400	40
500	50

Dimension in mm

Teeth	Pitch Length mm	Product Code	Teeth	Pitch Length mm	Product Code	Teeth	Pitch Length mm	Product Code
26	260	260-T10	89	890	890-T10	170	1700	1700-T10
34	340	340-T10	90	900	900-T10	175	1750	1750-T10
35	350	350-T10	91	910	910-T10	178	1780	1780-T10
37	370	370-T10	92	920	920-T10	180	1800	1800-T10
39	390	390-T10	95	950	950-T10	188	1880	1880-T10
40	400	400-T10	96	960	960-T10	196	1960	1960-T10
41	410	410-T10	97	970	970-T10	225	2250	2250-T10
42	420	420-T10	98	980	980-T10	236	2360	2360-T10
44	440	440-T10	99	990	990-T10	250	2500	2500-T10
45	450	450-T10	100	1000	1000-T10	265	2650	2650-T10
48	480	480-T10	101	1010	1010-T10	280	2800	2800-T10
50	500	500-T10	105	1050	1050-T10	300	3000	3000-T10
53	530	530-T10	108	1080	1080-T10	310	3100	3100-T10
55	550	550-T10	110	1100	1100-T10	315	3150	3150-T10
56	560	560-T10	111	1110	1110-T10	335	3350	3350-T10
60	600	600-T10	114	1140	1140-T10	375	3750	3750-T10
61	610	610-T10	115	1150	1150-T10	400	4000	4000-T10
63	630	630-T10	120	1200	1200-T10	425	4250	4250-T10
65	650	650-T10	121	1210	1210-T10	450	4500	4500-T10
66	660	660-T10	124	1240	1240-T10	475	4750	4750-T10
68	680	680-T10	125	1250	1250-T10	478	4780	4780-T10
69	690	690-T10	130	1300	1300-T10	500	5000	5000-T10
70	700	700-T10	132	1320	1320-T10	530	5300	5300-T10
72	720	720-T10	135	1350	1350-T10	560	5600	5600-T10
73	730	730-T10	139	1390	1390-T10	600	6000	6000-T10
75	750	750-T10	140	1400	1400-T10	630	6300	6300-T10
76	760	760-T10	142	1420	1420-T10	670	6700	6700-T10
78	780	780-T10	145	1450	1450-T10	710	7100	7100-T10
80	800	800-T10	146	1460	1460-T10	750	7500	7500-T10
81	810	810-T10	150	1500	1500-T10	800	8000	8000-T10
84	840	840-T10	156	1560	1560-T10	900	9000	9000-T10
85	850	850-T10	160	1600	1600-T10			
88	880	880-T10	161	1610	1610-T10			

Contact **TZPLUS** for made to order / customised belt





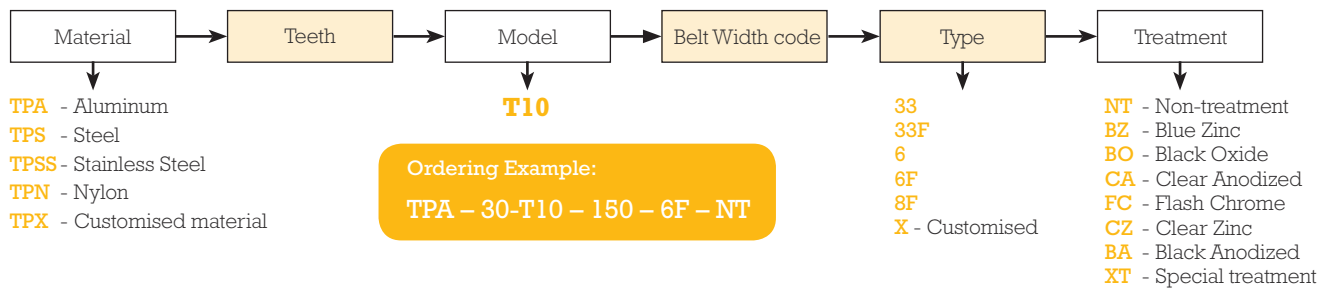
Belt Width Code	Belt Width
150	15
200	20
250	25
300	30
400	40
500	50

Type: 33                      33F                      6                      6F

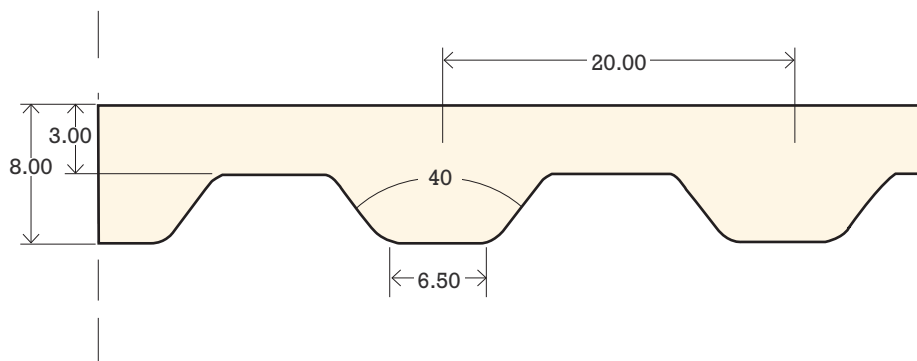
Dimension in mm

Teeth	PD	OD	F	HD	d	150 (15mm)		200 (20mm)		250 (25mm)		300 (30mm)		400 (40mm)		500 (50mm)		Type
						W	L	W	L	W	L	W	L	W	L	W	L	
10	31.83	29.98	38	20	8													33 33F 6 6F
11	35.02	33.17	42	25	8													
12	38.20	36.35	42	26	8													
13	41.38	39.50	44	30	8													
14	44.56	42.71	48	32	8													
15	47.75	45.90	51	32	8													
16	50.93	49.08	54	35	8													
18	57.30	55.45	60	40	8													
19	60.48	58.63	65	44	8													
20	63.66	61.81	67	46	8													
22	70.03	68.18	75	52	8													
24	76.40	74.55	83	58	8					47		52		61				
25	79.58	77.73	83	60	8													
26	82.76	80.91	87	60	8	22	37	27	42	32		37		48		58	70	
27	85.95	84.10	91	60	8													
28	89.13	87.28	94	60	8													
30	95.50	93.65	97	60	8													
32	101.86	100.01	105	65	10													
34	108.23	106.40	115	65	10													
36	114.59	112.74	118	70	10													
38	120.96	119.11	126	80	10													
40	127.33	125.48	131	80	10													
44	140.06	138.21	146	88	10													
48	152.79	150.94	160	95	16													
50	159.15	157.30	170	95	16					52		57		63				
60	190.99	189.14	200	110	16													
72	229.19	227.34	260	120	16													

Contact **TZPLUS** for made to order / customised pulley



01  
03  
05  
07  
09  
11  
13  
15  
17  
19  
21  
23  
25  
27  
29  
31  
33  
35  
37  
39  
41  
**43**  
45  
47  
49  
51  
53  
55  
57  
59  
61  
63  
65  
67  
69  
71  
73  
75  
77  
79  
81  
83  
85  
87  
89  
91  
93  
95  
97  
99  
101  
103  
105  
107  
109  
111  
113  
115  
117  
119  
121  
123  
125  
127  
129  
131  
133  
135  
137

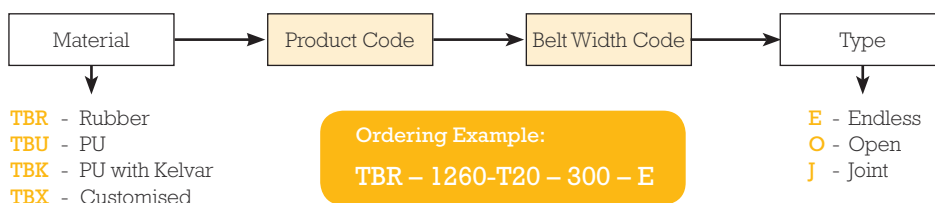


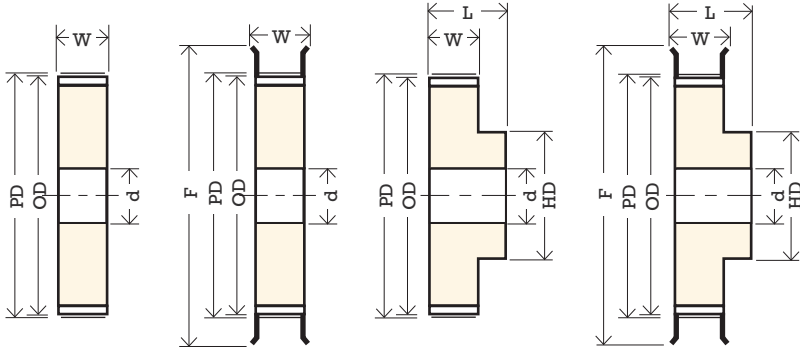
Belt Width Code	Belt Width
300	30
500	50
750	75
1000	100

Dimension in mm

Teeth	Pitch Length mm	Product Code	Teeth	Pitch Length mm	Product Code
63	1260	1260-T20	168	3360	3360-T20
73	1460	1460-T20	178	3560	3560-T20
75	1500	1500-T20	181	3620	3620-T20
80	1600	1600-T20	188	3760	3760-T20
85	1700	1700-T20	200	4000	4000-T20
89	1780	1780-T20	213	4260	4260-T20
90	1800	1800-T20	225	4500	4500-T20
94	1880	1880-T20	238	4760	4760-T20
95	1900	1900-T20	280	5600	5600-T20
100	2000	2000-T20	265	5300	5300-T20
106	2120	2120-T20	280	5600	5600-T20
112	2240	2240-T20	300	6000	6000-T20
118	2360	2360-T20	315	6300	6300-T20
125	2500	2500-T20	335	6700	6700-T20
130	2600	2600-T20	355	7100	7100-T20
133	2660	2660-T20	375	7500	7500-T20
140	2800	2800-T20	400	8000	8000-T20
150	3000	3000-T20	425	8500	8500-T20
155	3100	3100-T20	450	9000	9000-T20
158	3160	3160-T20			

Contact **TZPLUS** for made to order / customised belt





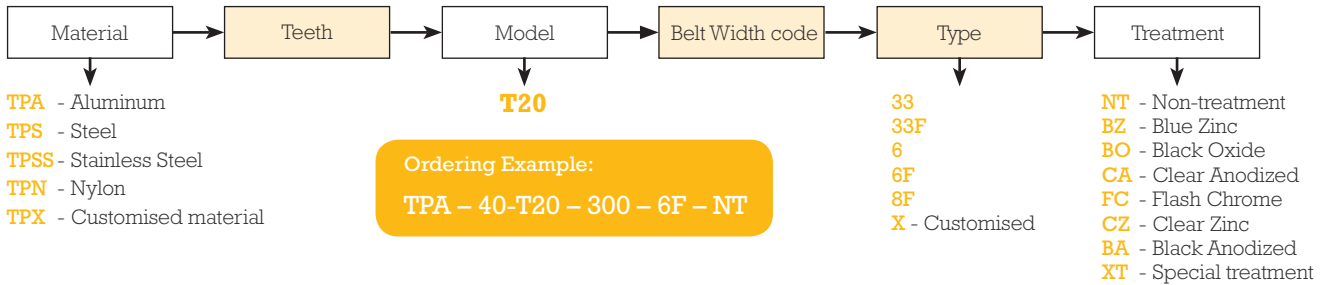
Type: 33                      33F                      6                      6F

Belt Width Code	Belt Width
300	30
500	50
750	75
1000	100

Dimension in mm

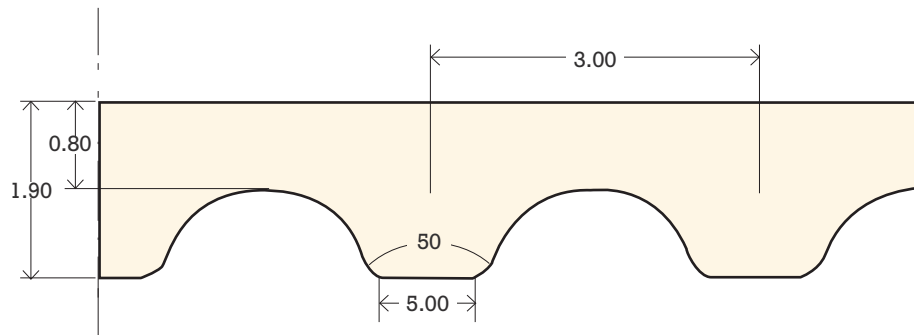
Teeth	PD	OD	F	HD	d	300 (30mm)		500 (50mm)		750 (75mm)		1000 (100mm)		Type
						W	L	W	L	W	L	W	L	
18	114.59	111.73	118	80	15									33 33F 6 6F
20	127.33	124.47	136	90	15									
22	140.06	137.20	146	90	15									
24	152.79	149.93	160	95	15									
25	159.16	156.30	165	95	15									
30	190.99	188.13	200	110	15	42	54	60	72	85	106	110	123	
32	203.72	200.86	211	110	15									
36	229.19	226.33	240	110	15									
40	254.66	251.80	-	110	20									
48	305.59	302.73	-	130	20									
60	381.98	379.12	-	130	20									

Contact **TZPLUS** for made to order / customised pulley



01  
03  
05  
07  
09  
11  
13  
15  
17  
19  
21  
23  
25  
27  
29  
31  
33  
35  
37  
39  
41  
43  
45  
47  
49  
51  
53  
55  
57  
59  
61  
63  
65  
67  
69  
71  
73  
75  
77  
79  
81  
83  
85  
87  
89  
91  
93  
95  
97  
99  
101  
103  
105  
107  
109  
111  
113  
115  
117  
119  
121  
123  
125  
127  
129  
131  
133  
135  
137



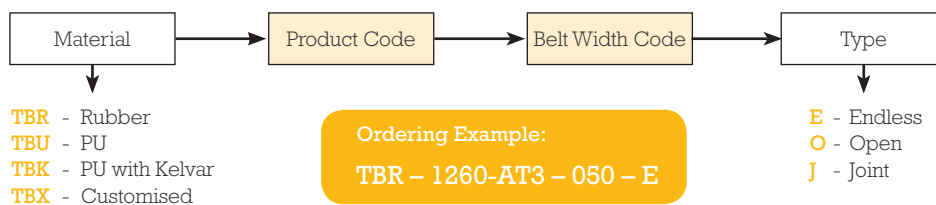


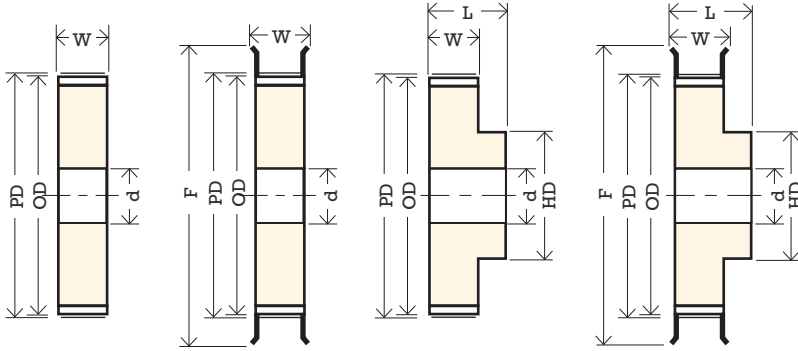
Belt Width Code	Belt Width
050	5
100	10
150	15
200	20

Dimension in mm

Teeth	Pitch Length	Product Code
	mm	
50	150	150-AT3
67	201	201-AT3
84	252	252-AT3
89	267	267-AT3
90	270	270-AT3
100	300	300-AT3
117	351	351-AT3
133	399	399-AT3
139	417	417-AT3
150	450	450-AT3
167	501	501-AT3
183	549	549-AT3
200	600	600-AT3
213	639	639-AT3
240	720	720-AT3
272	816	816-AT3
273	819	819-AT3
300	900	900-AT3
306	918	918-AT3
337	1011	1011-AT3
339	1017	1017-AT3
372	1116	1116-AT3
405	1215	1215-AT3
438	1314	1314-AT3
471	1413	1413-AT3
504	1512	1512-AT3
537	1611	1611-AT3
570	1710	1710-AT3

Contact **TZPLUS** for made to order / customised belt





Belt Width Code	Belt Width
050	5
100	10
150	15
200	20

Type: 33

33F

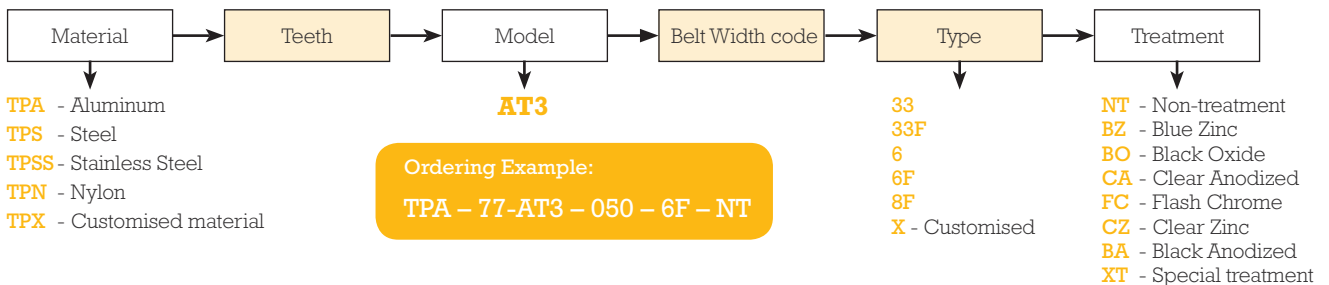
6

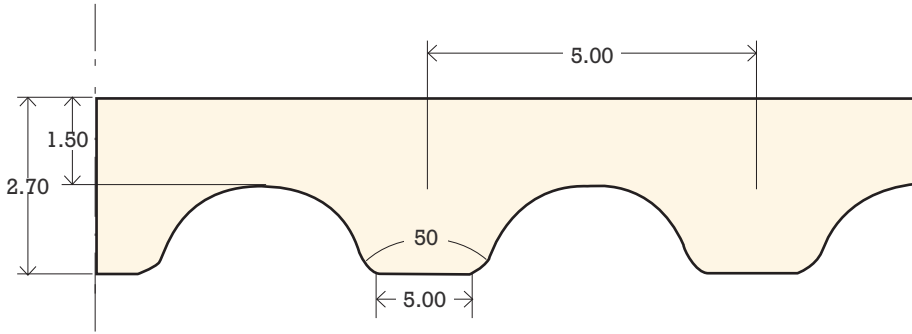
6F

Dimension in mm

Teeth	PD	OD	F	HD	d	050 (5mm)		100 (10mm)		150 (15mm)		200 (20mm)		Type
						W	L	W	L	W	L	W	L	
15	14.32	13.91	18	9	4									33 33F 6 6F
18	17.19	16.78	23	11	6									
23	21.96	21.55	28	16	6									
29	27.69	27.28	31	18	6									
34	32.46	32.06	38	24	6									
38	36.28	35.88	41	26	6									
46	43.92	43.52	48	34	6									
48	45.83	45.43	51	34	8									
55	52.21	52.11	57	39	8									
59	56.33	55.93	61	39	8									
62	59.20	58.80	65	48	8									
68	64.93	64.53	70	53	8		17		25		30		36	
74	70.66	70.25	75	53	8									
77	73.52	73.12	78	53	8									
80	76.38	75.98	78	53	8	10		16		21		27		
85	81.16	80.76	86	62	8									
91	86.89	86.49	91	68	8									
96	91.66	91.26	97	76	8									
98	93.57	93.17	97	76	8									
100	85.48	95.08	99	76	8									
101	96.44	96.04	105	80	10									
103	98.35	97.95	105	80	10									
105	100.25	99.86	105	80	10									
107	102.16	101.77	108	80	10									
108	103.12	102.72	108	80	10									
110	105.03	104.63	112	80	10		29		28		35		41	
111	105.98	105.59	112	80	10									
113	107.89	107.50	112	80	10									
114	108.85	108.45	115	80	10									

Contact **TZPLUS** for made to order / customised pulley



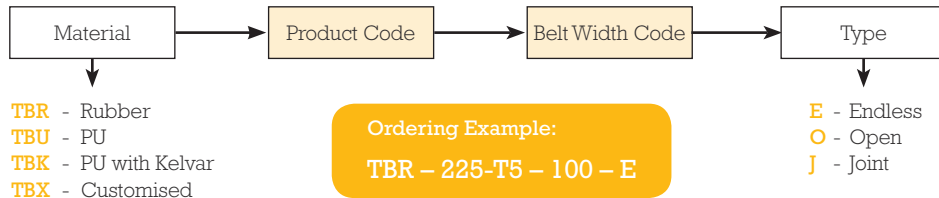


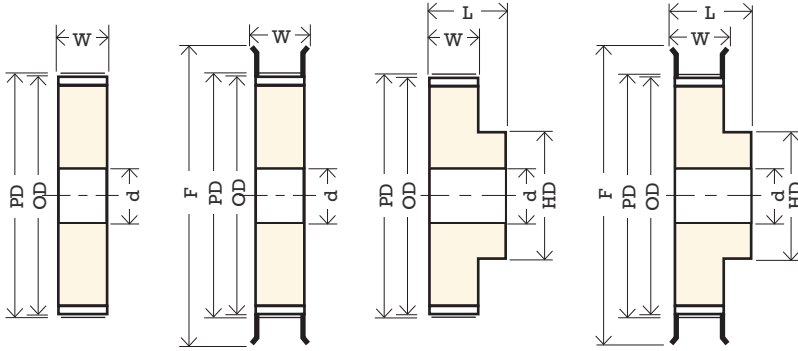
Belt Width Code	Belt Width
100	10
150	15
200	20
250	25
300	30

Dimension in mm

Teeth	Pitch Length mm	Product Code	Teeth	Pitch Length mm	Product Code	Teeth	Pitch Length mm	Product Code
45	225	225-AT5	150	750	750-AT5	360	1800	1800-AT5
52	260	260-AT5	156	780	780-AT5	380	1900	1900-AT5
56	280	280-AT5	165	825	825-AT5	400	2000	2000-AT5
60	300	300-AT5	168	840	840-AT5	424	2120	2120-AT5
61	305	305-AT5	171	855	855-AT5	448	2240	2240-AT5
66	330	330-AT5	172	860	860-AT5	472	2360	2360-AT5
68	340	340-AT5	175	875	875-AT5	500	2500	2500-AT5
75	375	375-AT5	180	900	900-AT5	530	2650	2650-AT5
78	390	390-AT5	184	920	920-AT5	560	2800	2800-AT5
84	420	420-AT5	192	960	960-AT5	600	3000	3000-AT5
90	450	450-AT5	195	975	975-AT5	630	3150	3150-AT5
91	455	455-AT5	198	990	990-AT5	670	3350	3350-AT5
96	480	480-AT5	201	1005	1005-AT5	710	3550	3550-AT5
98	490	490-AT5	204	1020	1020-AT5	750	3750	3750-AT5
100	500	500-AT5	210	1050	1050-AT5	800	4000	4000-AT5
105	525	525-AT5	215	1075	1075-AT5	850	4250	4250-AT5
109	545	545-AT5	220	1100	1100-AT5	900	4500	4500-AT5
120	600	600-AT5	225	1125	1125-AT5	950	4750	4750-AT5
122	610	610-AT5	243	1215	1215-AT5	1000	5000	5000-AT5
124	620	620-AT5	246	1230	1230-AT5	1060	5300	5300-AT5
126	630	630-AT5	276	1380	1380-AT5	1120	5600	5600-AT5
132	660	660-AT5	280	1400	1400-AT5	1200	6000	6000-AT5
134	670	670-AT5	300	1500	1500-AT5	1260	6300	6300-AT5
138	690	690-AT5	320	1600	1600-AT5	1340	6700	6700-AT5
142	710	710-AT5	340	1700	1700-AT5	1420	7100	7100-AT5
144	720	720-AT5	350	1750	1750-AT5	1500	7500	7500-AT5

Contact **TZPLUS** for made to order / customised belt





Belt Width Code	Belt Width
100	10
150	15
200	20
250	25
300	30

Type: 33

33F

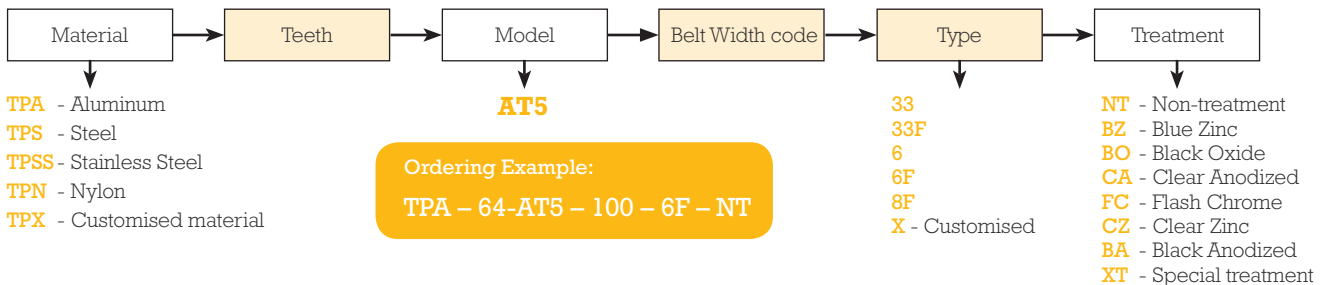
6

6F

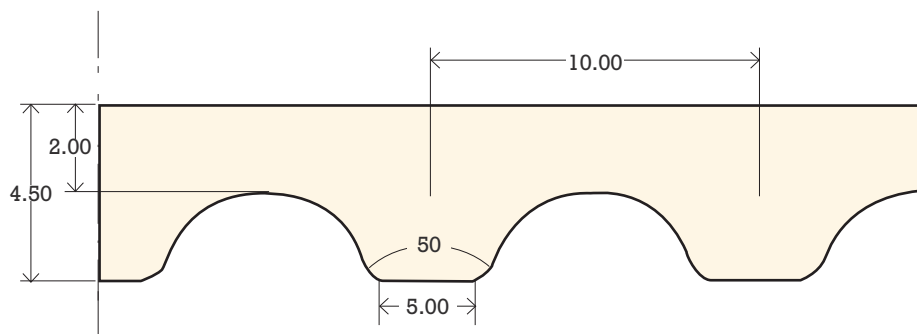
Dimension in mm

Teeth	PD	OD	F	HD	d	100 (10mm)		150 (15mm)		200 (20mm)		250 (25mm)		300 (30mm)		Type
						W	L	W	L	W	L	W	L	W	L	
12	19.10	17.87	23	11	4											
13	20.69	19.46	25	11	4											
14	22.28	21.05	25	14	5											
15	23.87	22.64	28	16	6											
16	25.47	24.24	31	18	6											
18	28.65	27.42	31	20	6											
19	30.24	29.01	35	22	6											
20	31.83	30.60	35	22	6											
22	35.02	33.79	38	24	6											
24	28.20	36.97	43	26	6											
25	39.79	38.56	44	26	6											
26	41.38	40.15	44	26	6											
27	42.97	41.74	48	30	8											
28	44.56	43.33	48	32	8	16	28	22	34	28	39	33	44	38	49	33 33F 6 6F
30	47.75	46.52	51	34	8											
32	50.93	49.70	54	38	8											
36	57.30	56.07	61	38	8											
38	60.48	59.25	65	38	8											
40	63.66	62.43	67	40	8											
42	66.85	65.62	70	40	8											
44	70.03	68.80	75	45	8											
48	76.40	75.17	83	50	8											
50	79.58	78.35	87	50	8											
60	95.50	94.27	105	65	8											
64	101.86	100.63	112	70	8											
72	114.59	113.36	125	80	8											

Contact **TZPLUS** for made to order / customised pulley



01  
03  
05  
07  
09  
11  
13  
15  
17  
19  
21  
23  
25  
27  
29  
31  
33  
35  
37  
39  
41  
43  
45  
47  
49  
51  
53  
55  
57  
59  
61  
63  
65  
67  
69  
71  
73  
75  
77  
79  
81  
83  
85  
87  
89  
91  
93  
95  
97  
99  
101  
103  
105  
107  
109  
111  
113  
115  
117  
119  
121  
123  
125  
127  
129  
131  
133  
135  
137

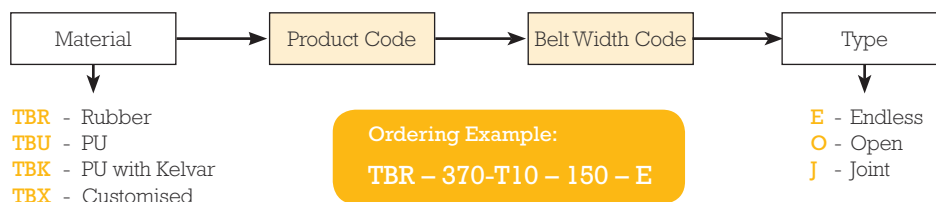


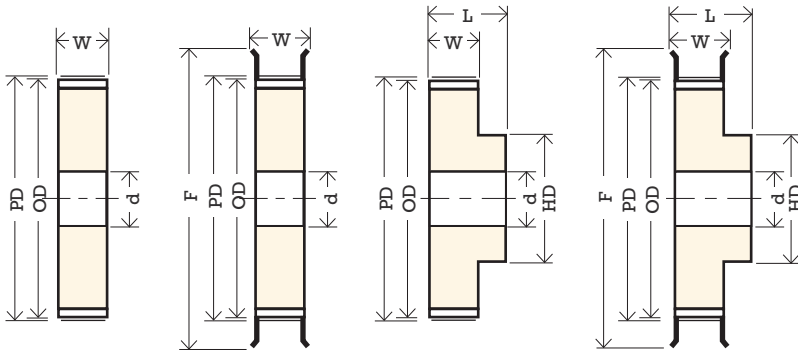
Belt Width Code	Belt Width
150	15
200	20
250	25
300	30
400	40
500	50

Dimension in mm

Teeth	Pitch Length mm	Product Code	Teeth	Pitch Length mm	Product Code	Teeth	Pitch Length mm	Product Code
37	370	370-AT10	110	1100	1100-AT10	212	2120	2120-AT10
50	500	500-AT10	115	1150	1150-AT10	224	2240	2240-AT10
53	530	530-AT10	120	1200	1200-AT10	236	2360	2360-AT10
56	560	560-AT10	121	1210	1210-AT10	250	2500	2500-AT10
60	600	600-AT10	122	1220	1220-AT10	265	2650	2650-AT10
61	610	610-AT10	123	1230	1230-AT10	280	2800	2800-AT10
63	630	630-AT10	124	1240	1240-AT10	300	3000	3000-AT10
66	660	660-AT10	125	1250	1250-AT10	315	3150	3150-AT10
70	700	700-AT10	128	1280	1280-AT10	335	3350	3350-AT10
72	720	720-AT10	130	1300	1300-AT10	355	3550	3550-AT10
73	730	730-AT10	132	1320	1320-AT10	375	3750	3750-AT10
78	780	780-AT10	135	1350	1350-AT10	400	4000	4000-AT10
80	800	800-AT10	136	1360	1360-AT10	425	4250	4250-AT10
81	810	810-AT10	140	1400	1400-AT10	450	4500	4500-AT10
84	840	840-AT10	142	1420	1420-AT10	475	4750	4750-AT10
85	850	850-AT10	148	1480	1480-AT10	500	5000	5000-AT10
88	880	880-AT10	150	1500	1500-AT10	530	5300	5300-AT10
89	890	890-AT10	153	1530	1530-AT10	560	5600	5600-AT10
92	920	920-AT10	160	1600	1600-AT10	600	6000	6000-AT10
96	960	960-AT10	170	1700	1700-AT10	630	6300	6300-AT10
97	970	970-AT10	172	1720	1720-AT10	670	6700	6700-AT10
98	980	980-AT10	180	1800	1800-AT10	710	7100	7100-AT10
100	1000	1000-AT10	186	1860	1860-AT10	750	7500	7500-AT10
101	1010	1010-AT10	190	1900	1900-AT10	800	8000	8000-AT10
105	1050	1050-AT10	194	1940	1940-AT10	900	9000	9000-AT10
108	1080	1080-AT10	200	2000	2000-AT10	108	1080	1080-AT10

Contact **TZPLUS** for made to order / customised belt





Belt Width Code	Belt Width
150	15
200	20
250	25
300	30
400	40
500	50

Type: 33

33F

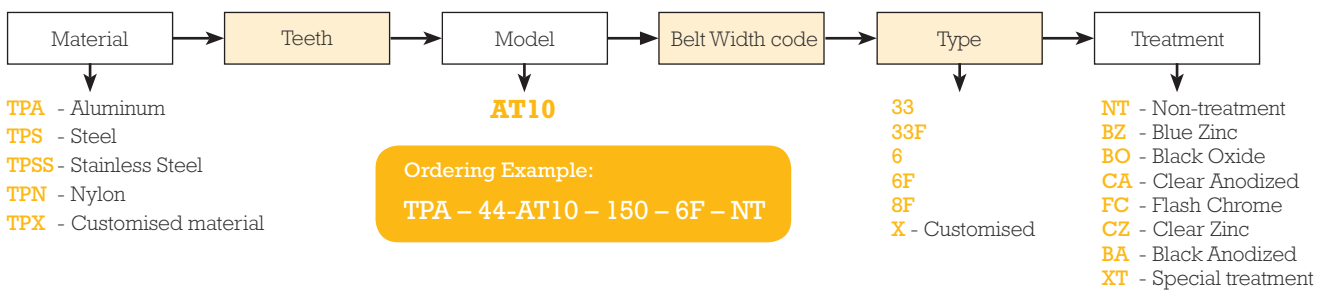
6

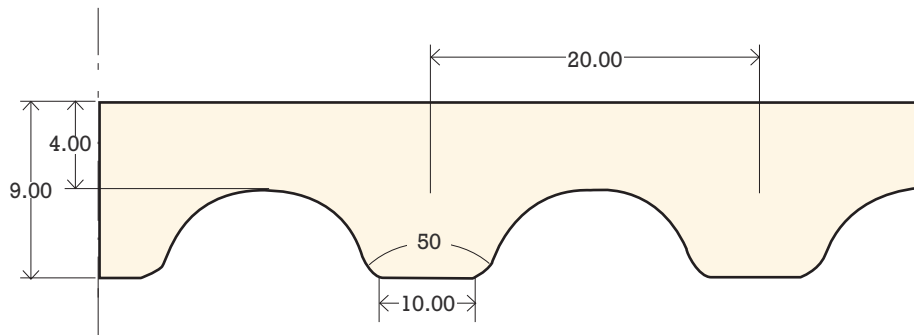
6F

Dimension in mm

Teeth	PD	OD	F	HD	d	150 (15mm)		200 (20mm)		250 (25mm)		300 (30mm)		400 (40mm)		500 (50mm)		Type
						W	L	W	L	W	L	W	L	W	L	W	L	
15	47.75	45.90	51	32	8													33 33F 6 6F
16	50.93	49.08	54	35	8													
18	57.30	55.45	60	40	8													
19	60.48	58.63	65	44	8													
20	63.66	61.81	65	46	8													
22	70.03	68.18	75	52	8													
24	76.40	74.55	83	58	8													
25	79.58	77.73	83	60	8					47		52		61				
26	82.76	80.91	87	60	8													
27	85.95	84.10	91	60	8	22	37	27	42	32		37		48		48	70	
28	89.13	87.28	93	60	8													
30	95.50	93.65	97	60	8													
32	101.86	100.01	105	65	8													
36	114.59	112.74	120	70	8													
38	120.96	119.11	126	75	8													
40	127.33	125.48	131	80	8													
44	140.06	138.21	146	88	8													
48	152.79	150.94	160	95	8					52		57		63				
60	190.99	189.14	200	110	10													

Contact **TZPLUS** for made to order / customised pulley



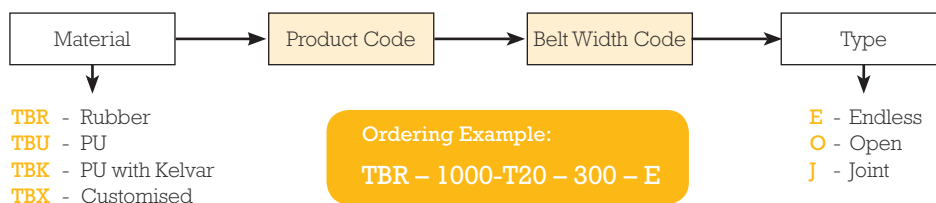


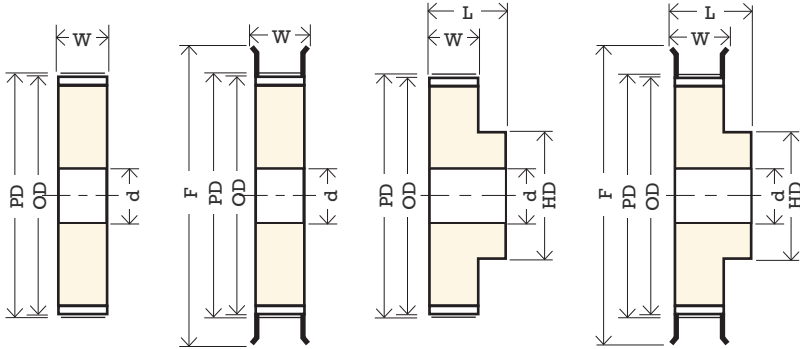
Belt Width Code	Belt Width
300	30
500	50
750	75
1000	100

Dimension in mm

Teeth	Pitch Length mm	Product Code	Teeth	Pitch Length mm	Product Code
50	1000	1000-AT20	158	3160	3160-AT20
55	1100	1100-AT20	168	3360	3360-AT20
60	1200	1200-AT20	178	3560	3560-AT20
63	1260	1260-AT20	188	3760	3760-AT20
75	1500	1500-AT20	200	4000	4000-AT20
80	1600	1600-AT20	213	4260	4260-AT20
85	1700	1700-AT20	225	4500	4500-AT20
88	1760	1760-AT20	238	4760	4760-AT20
90	1800	1800-AT20	250	5000	5000-AT20
95	1900	1900-AT20	265	5300	5300-AT20
98	1960	1960-AT20	280	5600	5600-AT20
100	2000	2000-AT20	300	6000	6000-AT20
106	2120	2120-AT20	315	6300	6300-AT20
112	2240	2240-AT20	335	6700	6700-AT20
118	2360	2360-AT20	355	7100	7100-AT20
125	2500	2500-AT20	375	7500	7500-AT20
133	2660	2660-AT20	400	8000	8000-AT20
140	2800	2800-AT20	425	8500	8500-AT20
150	3000	3000-AT20	450	9000	9000-AT20

Contact **TZPLUS** for made to order / customised belt





Belt Width Code	Belt Width
300	30
500	50
750	75
1000	100

Type: 33

33F

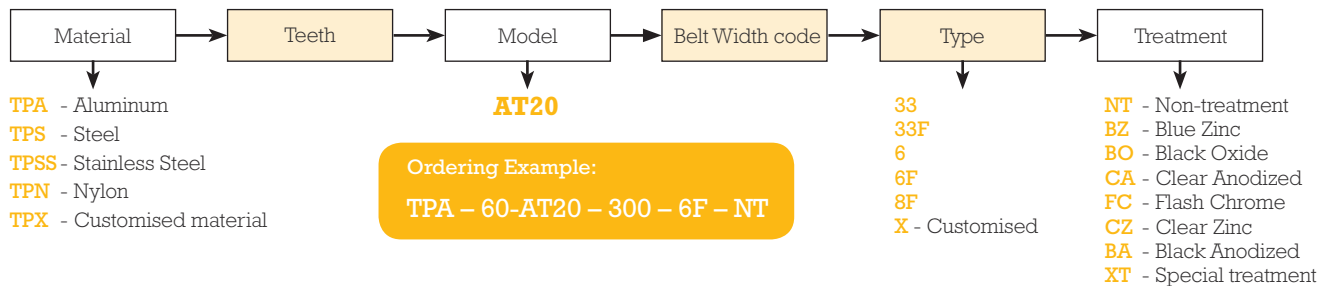
6

6F

Dimension in mm

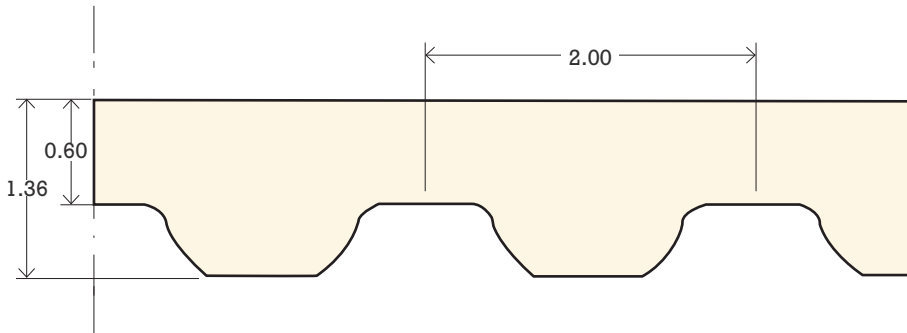
Teeth	PD	OD	F	HD	d	300 (30mm)		500 (50mm)		750 (75mm)		1000 (100mm)		Type
						W	L	W	L	W	L	W	L	
18	114.59	117.73	118	80	15									33 33F 6 6F
20	127.33	124.47	136	90	15									
22	140.06	132.20	146	90	15									
24	152.79	149.93	160	95	15									
25	159.16	156.30	165	95	15									
30	190.99	188.13	200	110	15	42	53	60	71	85	106	110	123	
32	203.72	200.86	211	110	15									
36	229.19	226.33	-	110	20									
40	254.66	251.80	-	110	20									
48	305.59	302.73	-	130	20									
60	281.98	379.12	-	130	20									

Contact **TZPLUS** for made to order / customised pulley



01  
03  
05  
07  
09  
11  
13  
15  
17  
19  
21  
23  
25  
27  
29  
31  
33  
35  
37  
39  
41  
43  
45  
47  
49  
51  
**53**  
55  
57  
59  
61  
63  
65  
67  
69  
71  
73  
75  
77  
79  
81  
83  
85  
87  
89  
91  
93  
95  
97  
99  
101  
103  
105  
107  
109  
111  
113  
115  
117  
119  
121  
123  
125  
127  
129  
131  
133  
135  
137



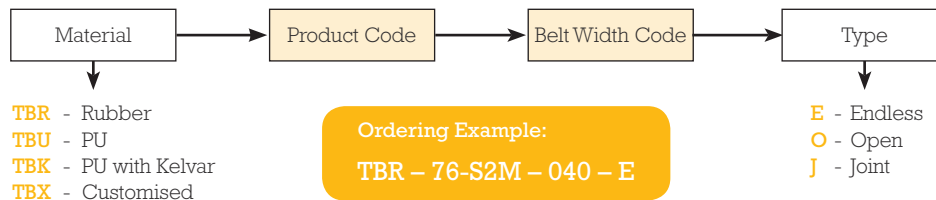


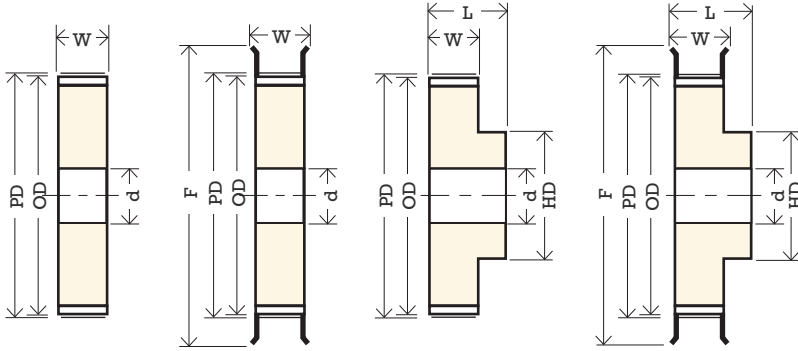
Belt Width Code	Belt Width
040	4
060	6
100	10

Dimension in mm

Teeth	Pitch Length mm	Product Code	Teeth	Pitch Length mm	Product Code	Teeth	Pitch Length mm	Product Code
38	76	76-S2M	100	200	200-S2M	177	354	354-S2M
39	78	78-S2M	102	204	204-S2M	180	360	360-S2M
40	80	80-S2M	105	210	210-S2M	185	370	370-S2M
44	88	88-S2M	106	212	212-S2M	188	376	376-S2M
45	90	90-S2M	107	214	214-S2M	190	380	380-S2M
50	100	100-S2M	109	218	218-S2M	198	396	396-S2M
56	112	112-S2M	110	220	220-S2M	200	400	400-S2M
58	116	116-S2M	112	224	224-S2M	213	426	426-S2M
59	118	118-S2M	115	230	230-S2M	218	436	436-S2M
61	122	122-S2M	117	234	234-S2M	224	448	448-S2M
62	124	124-S2M	118	236	236-S2M	226	452	452-S2M
63	126	126-S2M	120	240	240-S2M	230	460	460-S2M
64	128	128-S2M	121	242	242-S2M	243	486	486-S2M
65	130	130-S2M	122	244	244-S2M	244	488	488-S2M
66	132	132-S2M	123	246	246-S2M	247	494	494-S2M
67	134	134-S2M	124	248	248-S2M	250	500	500-S2M
69	138	138-S2M	125	250	250-S2M	260	520	520-S2M
70	140	140-S2M	128	256	256-S2M	280	560	560-S2M
71	142	142-S2M	130	260	260-S2M	286	572	572-S2M
72	144	144-S2M	132	264	264-S2M	290	580	580-S2M
76	152	152-S2M	150	300	300-S2M	300	600	600-S2M
80	160	160-S2M	133	266	266-S2M	315	630	630-S2M
82	164	164-S2M	140	280	280-S2M	355	710	710-S2M
83	166	166-S2M	145	290	290-S2M	400	800	800-S2M
86	172	172-S2M	150	300	300-S2M	450	900	900-S2M
88	176	176-S2M	160	320	320-S2M	492	984	984-S2M
90	180	180-S2M	162	324	324-S2M	598	1196	1196-S2M
93	186	186-S2M	164	328	328-S2M	625	1250	1250-S2M
95	190	190-S2M	165	330	330-S2M	637	1274	1274-S2M
97	194	194-S2M	170	340	340-S2M	645	1290	1290-S2M

Contact **TZPLUS** for made to order / customised belt





Belt Width Code	Belt Width
040	4
060	6
100	10

Type: 33

33F

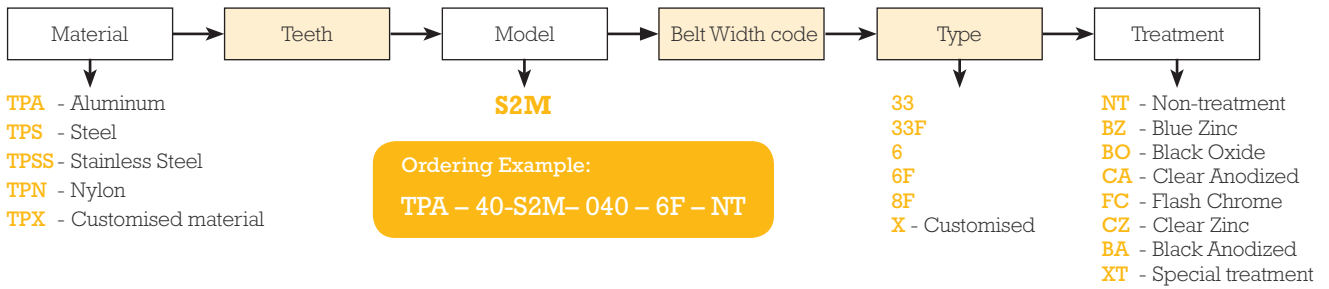
6

6F

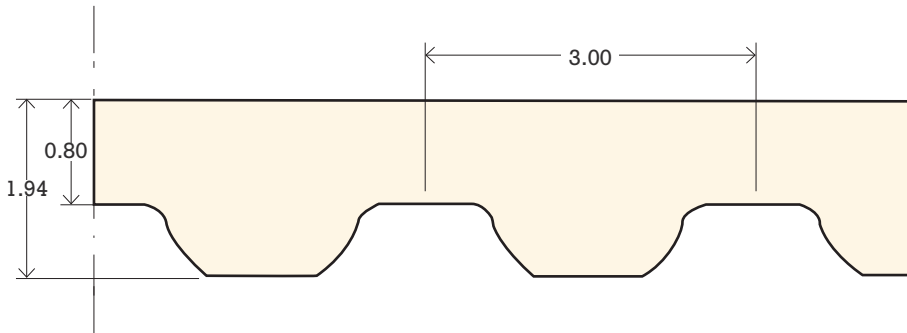
Dimension in mm

Teeth	PD	OD	F	HD	d	040 (4mm)		060 (6mm)		100 (10mm)		Type
						W	L	W	L	W	L	
14	8.91	8.40	14	12	-							33 33F 6 6F
15	9.55	9.04	14	12	-							
16	10.19	9.68	14	12	-							
18	11.46	10.95	14	12	-							
20	12.73	12.22	14	15	-							
22	14.01	13.50	16	16	-							
24	15.28	14.77	18	9	-							
26	16.55	16.04	20	10	-							
28	17.83	17.32	20	10	-							
30	19.10	18.59	23	11	-	9	17	11	19	15	23	
32	20.37	19.86	25	14	3							
34	21.65	21.14	25	14	3							
36	22.92	22.41	25	14	4							
40	25.46	24.96	28	16	4							
44	28.01	27.50	31	18	4							
48	30.56	30.05	33	20	4							
50	31.83	31.32	35	22	4							
60	38.20	37.69	41	26	4							

Contact **TZPLUS** for made to order / customised pulley



01  
03  
05  
07  
09  
11  
13  
15  
17  
19  
21  
23  
25  
27  
29  
31  
33  
35  
37  
39  
41  
43  
45  
47  
49  
51  
53  
**55**  
57  
59  
61  
63  
65  
67  
69  
71  
73  
75  
77  
79  
81  
83  
85  
87  
89  
91  
93  
95  
97  
99  
101  
103  
105  
107  
109  
111  
113  
115  
117  
119  
121  
123  
125  
127  
129  
131  
133  
135  
137

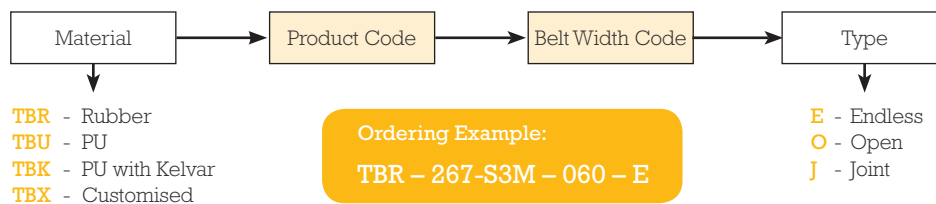


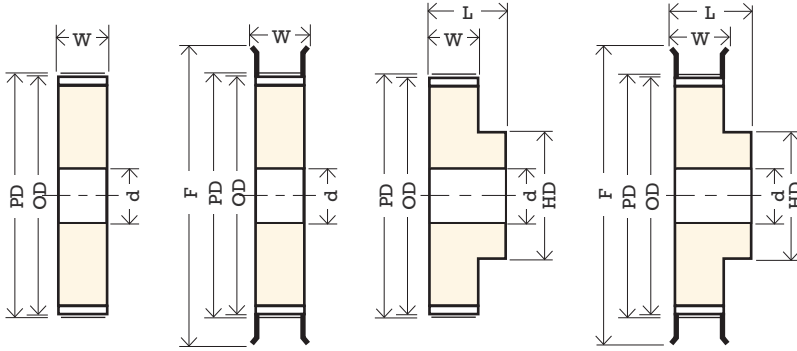
Belt Width Code	Belt Width
060	6
100	10
150	15

Dimension in mm

Teeth	Pitch Length mm	Product Code	Teeth	Pitch Length mm	Product Code	Teeth	Pitch Length mm	Product Code
40	120	120-S3M	100	300	300-S3M	200	600	600-S3M
41	123	123-S3M	104	312	312-S3M	204	612	612-S3M
43	129	129-S3M	106	318	318-S3M	211	633	633-S3M
47	141	141-S3M	109	327	327-S3M	215	645	645-S3M
48	144	144-S3M	113	339	339-S3M	220	660	660-S3M
50	150	150-S3M	115	345	345-S3M	222	666	666-S3M
54	162	162-S3M	118	354	354-S3M	227	681	681-S3M
57	171	171-S3M	120	360	360-S3M	233	699	699-S3M
58	174	174-S3M	121	363	363-S3M	247	741	741-S3M
59	177	177-S3M	123	369	369-S3M	250	750	750-S3M
60	180	180-S3M	125	375	375-S3M	255	765	765-S3M
62	186	186-S3M	128	384	384-S3M	263	789	789-S3M
63	189	189-S3M	129	387	387-S3M	268	804	804-S3M
64	192	192-S3M	132	396	396-S3M	270	810	810-S3M
65	195	195-S3M	134	402	402-S3M	284	852	852-S3M
67	201	201-S3M	135	405	405-S3M	300	900	900-S3M
69	207	207-S3M	136	408	408-S3M	306	918	918-S3M
70	210	210-S3M	140	420	420-S3M	335	1005	1005-S3M
71	213	213-S3M	141	423	423-S3M	350	1050	1050-S3M
73	219	219-S3M	142	426	426-S3M	360	1080	1080-S3M
74	222	222-S3M	144	432	432-S3M	373	1119	1119-S3M
75	225	225-S3M	151	453	453-S3M	390	1170	1170-S3M
78	234	234-S3M	152	456	456-S3M	401	1203	1203-S3M
79	237	237-S3M	153	459	459-S3M	407	1221	1221-S3M
82	246	246-S3M	158	474	474-S3M	412	1236	1236-S3M
83	249	249-S3M	160	480	480-S3M	415	1245	1245-S3M
84	252	252-S3M	161	483	483-S3M	420	1260	1260-S3M
85	255	255-S3M	162	486	486-S3M	430	1290	1290-S3M
88	264	264-S3M	167	501	501-S3M	433	1299	1299-S3M
89	267	267-S3M	169	507	507-S3M	444	1332	1332-S3M
91	273	273-S3M	173	519	519-S3M	467	1401	1401-S3M
92	276	276-S3M	175	525	525-S3M	532	1596	1596-S3M
93	279	279-S3M	179	537	537-S3M	560	1680	1680-S3M
95	285	285-S3M	180	540	540-S3M	596	1788	1788-S3M
96	288	288-S3M	188	564	564-S3M	700	2100	2100-S3M
97	291	291-S3M	197	591	591-S3M			

Contact **TZPLUS** for made to order / customised belt





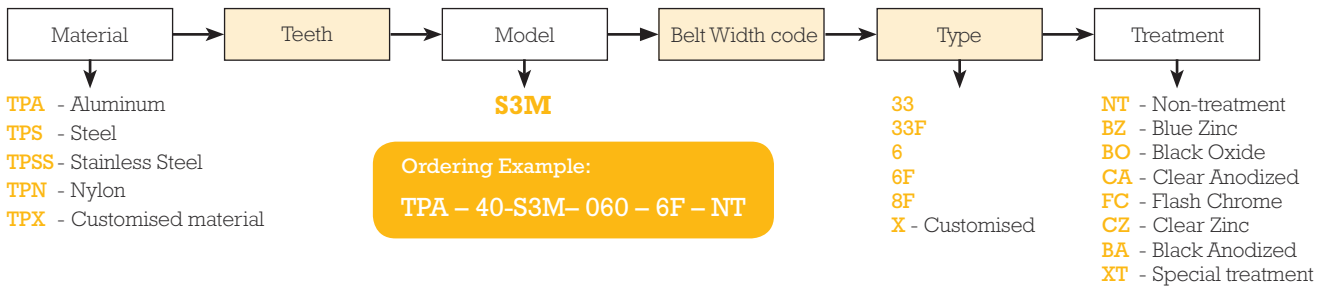
Type: 33                      33F                      6                      6F

Belt Width Code	Belt Width
060	6
100	10
150	15

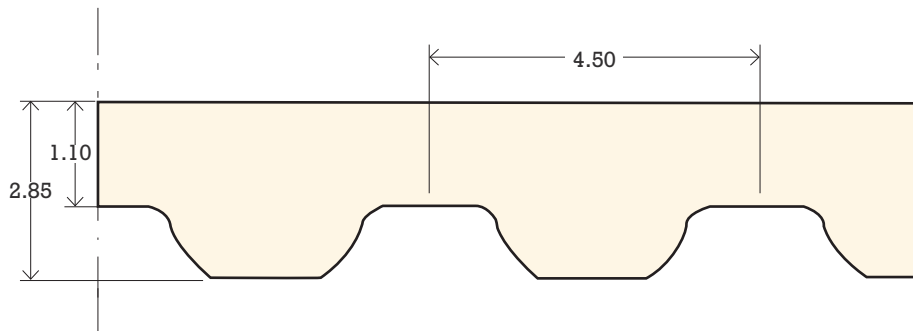
Dimension in mm

Teeth	PD	OD	F	HD	d	060 (6mm)		100 (10mm)		150 (15mm)		Type
						W	L	W	L	W	L	
10	9.55	8.78	14	12	-							33 33F 6 6F
11	10.50	9.74	14	12	-							
12	11.46	10.69	14	15	-							
13	12.41	11.65	16	15	-							
14	13.37	12.60	16	16	-							
15	14.32	13.56	18	16	-							
16	15.28	14.51	18	9	4							
18	17.19	16.42	23	10	6							
19	18.14	17.38	25	10	6							
20	19.10	18.33	25	10	6							
21	20.05	19.29	25	11	6							
22	21.01	20.25	25	11	6							
24	22.92	22.15	28	14	6							
25	23.87	23.11	28	14	6	11	19	15	23	21	29	
26	24.83	24.06	28	15	6							
28	26.74	25.97	31	17	6							
30	28.65	27.88	33	19	6							
32	30.56	29.79	33	20	6							
34	32.47	31.70	38	22	6							
36	34.38	33.61	38	24	6							
38	36.29	35.52	43	26	6							
40	38.20	37.43	44	28	6							
44	42.02	41.25	48	32	6							
46	43.93	43.16	51	32	6							
48	45.84	45.07	51	32	8							
50	47.75	46.98	61	32	8							
60	57.30	56.53	65	36	8							
72	68.75	67.99	75	36	8							

Contact **TZPLUS** for made to order / customised pulley



01  
03  
05  
07  
09  
11  
13  
15  
17  
19  
21  
23  
25  
27  
29  
31  
33  
35  
37  
39  
41  
43  
45  
47  
49  
51  
53  
55  
57  
59  
61  
63  
65  
67  
69  
71  
73  
75  
77  
79  
81  
83  
85  
87  
89  
91  
93  
95  
97  
99  
101  
103  
105  
107  
109  
111  
113  
115  
117  
119  
121  
123  
125  
127  
129  
131  
133  
135  
137

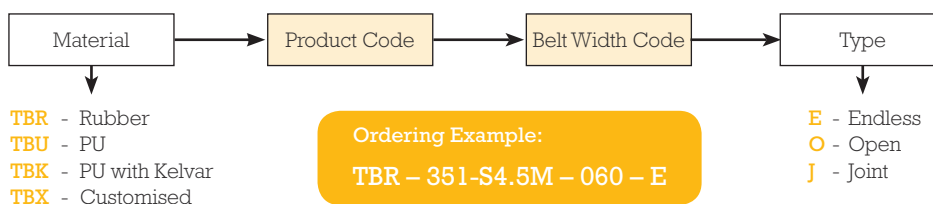


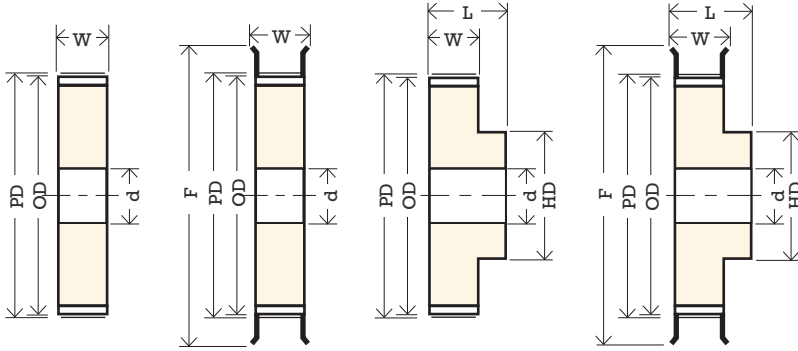
Belt Width Code	Belt Width
060	6
100	10
150	15

Dimension in mm

Teeth	Pitch Length mm	Product Code	Teeth	Pitch Length mm	Product Code
36	162.0	162-S4.5M	92	414.0	414-S4.5M
40	180.0	180-S4.5M	98	441.0	441-S4.5M
44	198.0	198-S4.5M	100	450.0	450-S4.5M
45	202.5	202X-S4.5M	104	468.0	468-S4.5M
50	225.0	225-S4.5M	109	490.5	490X-S4.5M
56	252.0	252-S4.5M	112	504.0	504-S4.5M
61	274.5	274X-S4.5M	115	517.5	517X-S4.5M
62	279.0	279-S4.5M	124	558.0	558-S4.5M
63	283.5	283X-S4.5M	126	567.0	567-S4.5M
66	297.0	297-S4.5M	136	612.0	612-S4.5M
70	315.0	315-S4.5M	137	616.5	616X-S4.5M
73	328.5	328X-S4.5M	140	630.0	630-S4.5M
75	337.5	337X-S4.5M	150	675.0	675-S4.5M
77	346.5	346X-S4.5M	158	711.0	711-S4.5M
78	351.0	351-S4.5M	178	801.0	801-S4.5M
86	387.0	387-S4.5M	229	1030.5	1030X-S4.5M
88	396.0	396-S4.5M			

Contact **TZPLUS** for made to order / customised belt





Belt Width Code	Belt Width
060	6
100	10
150	15

Type: 33

33F

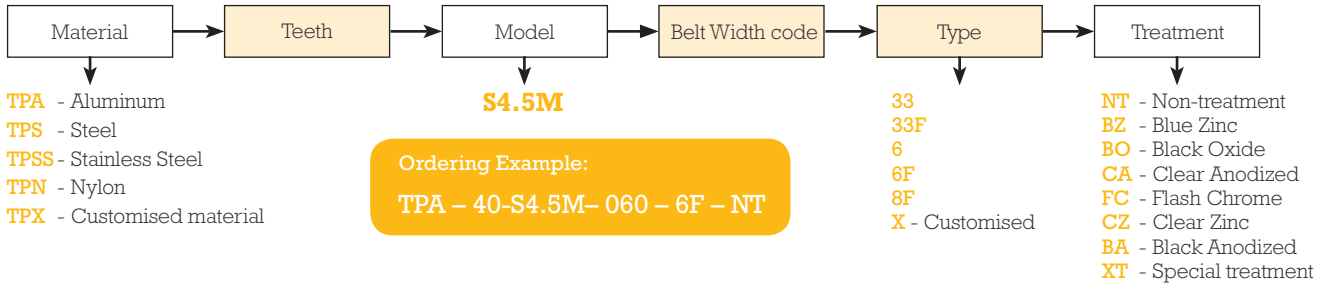
6

6F

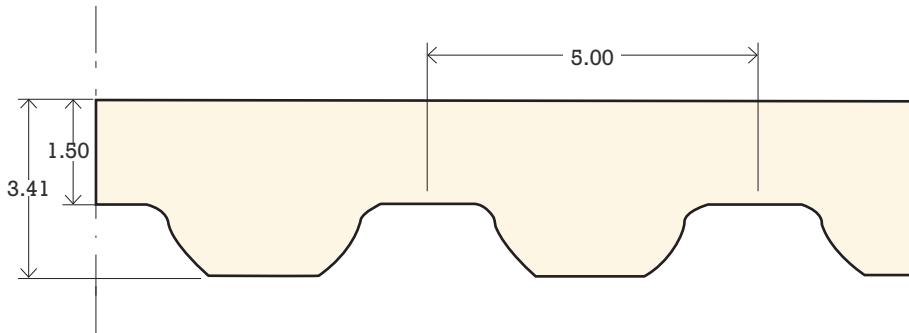
Dimension in mm

Teeth	PD	OD	F	HD	d	060 (6mm)		100 (10mm)		150 (15mm)		Type
						W	L	W	L	W	L	
12	17.19	16.43	23	10	3							33 33F 6 6F
14	20.05	19.29	25	12	4							
16	22.92	22.16	25	13	4							
18	25.78	25.02	31	17	4							
20	28.65	27.89	33	19	5							
22	31.51	30.75	35	19	5							
24	34.38	33.62	41	25	5							
25	35.81	35.05	41	25	5							
26	37.24	36.48	43	25	5							
28	40.11	39.35	44	29	6							
30	42.97	42.21	47	30	6							
32	45.84	45.07	51	32	6							
36	51.57	50.80	57	35	6							
40	57.30	56.53	61	38	6	12	20	16	24	21	29	
44	63.03	62.26	69	42	6							
48	68.75	67.99	73	44	6							
50	71.62	70.86	75	44	6							
60	85.94	85.18	90	50	8							
72	103.13	102.37	108	56	8							
36	34.38	33.61	38	24	6							
38	36.29	35.52	43	26	6							
40	38.20	37.43	44	28	6							
44	42.02	41.25	48	32	6							
46	43.93	43.16	51	32	6							
48	45.84	45.07	51	32	8							
50	47.75	46.98	61	32	8							
60	57.30	56.53	65	36	8							
72	68.75	67.99	75	36	8							

Contact **TZPLUS** for made to order / customised pulley



01  
03  
05  
07  
09  
11  
13  
15  
16  
17  
19  
21  
23  
25  
27  
29  
31  
33  
35  
37  
39  
41  
43  
45  
47  
49  
51  
53  
55  
57  
**59**  
61  
63  
65  
67  
69  
71  
73  
75  
77  
79  
81  
83  
85  
87  
89  
91  
93  
95  
97  
99  
101  
103  
105  
107  
109  
111  
113  
115  
117  
119  
121  
123  
125  
127  
129  
131  
133  
135  
137

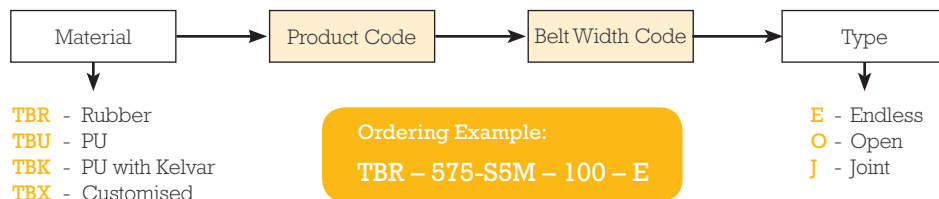


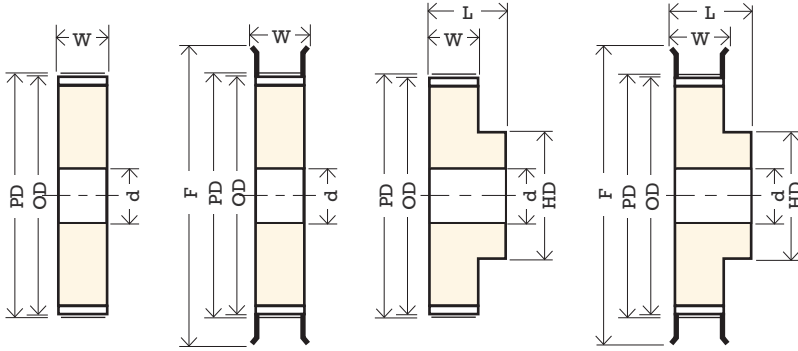
Belt Width Code	Belt Width
100	10
150	15
250	25

Dimension in mm

Teeth	Pitch Length mm	Product Code	Teeth	Pitch Length mm	Product Code	Teeth	Pitch Length mm	Product Code
45	225	225-S5M	119	595	595-S5M	210	1050	1050-S5M
46	230	230-S5M	120	600	600-S5M	211	1055	1055-S5M
51	255	255-S5M	125	625	625-S5M	217	1085	1085-S5M
52	260	260-S5M	128	640	640-S5M	218	1090	1090-S5M
59	295	295-S5M	130	650	650-S5M	220	1100	1100-S5M
60	300	300-S5M	133	665	665-S5M	221	1105	1105-S5M
61	305	305-S5M	134	670	670-S5M	223	1115	1115-S5M
64	320	320-S5M	135	675	675-S5M	224	1120	1120-S5M
65	325	325-S5M	138	690	690-S5M	225	1125	1125-S5M
68	340	340-S5M	139	695	695-S5M	227	1135	1135-S5M
70	350	350-S5M	140	700	700-S5M	229	1145	1145-S5M
72	360	360-S5M	140	700	700-S5M	232	1160	1160-S5M
74	370	370-S5M	142	710	710-S5M	233	1165	1165-S5M
75	375	375-S5M	144	720	720-S5M	239	1195	1195-S5M
76	380	380-S5M	145	725	725-S5M	245	1225	1225-S5M
78	390	390-S5M	146	730	730-S5M	250	1250	1250-S5M
80	400	400-S5M	148	740	740-S5M	254	1270	1270-S5M
83	415	415-S5M	150	750	750-S5M	259	1295	1295-S5M
85	425	425-S5M	153	765	765-S5M	270	1350	1350-S5M
87	435	435-S5M	156	780	780-S5M	284	1420	1420-S5M
88	440	440-S5M	160	800	800-S5M	295	1475	1475-S5M
90	450	450-S5M	162	810	810-S5M	300	1500	1500-S5M
95	475	475-S5M	166	830	830-S5M	301	1505	1505-S5M
98	490	490-S5M	169	845	845-S5M	306	1530	1530-S5M
100	500	500-S5M	170	850	850-S5M	319	1595	1595-S5M
104	520	520-S5M	174	870	870-S5M	321	1605	1605-S5M
105	525	525-S5M	178	890	890-S5M	336	1680	1680-S5M
106	530	530-S5M	180	900	900-S5M	343	1715	1715-S5M
109	545	545-S5M	186	930	930-S5M	360	1800	1800-S5M
110	550	550-S5M	190	950	950-S5M	400	2000	2000-S5M
112	560	560-S5M	195	975	975-S5M	429	2145	2145-S5M
115	575	575-S5M	200	1000	1000-S5M	451	2255	2255-S5M
118	590	590-S5M	205	1025	1025-S5M	496	2480	2480-S5M

Contact **TZPLUS** for made to order / customised belt





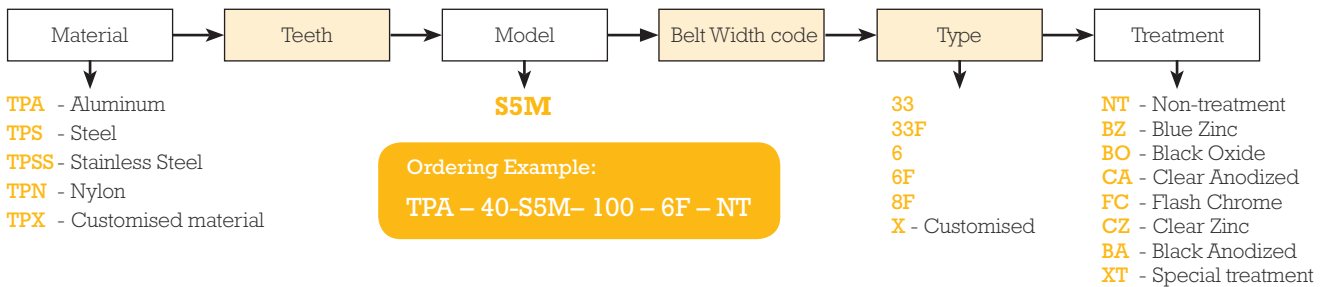
Belt Width Code	Belt Width
100	10
150	15
250	25

Type: 33                      33F                      6                      6F

Dimension in mm

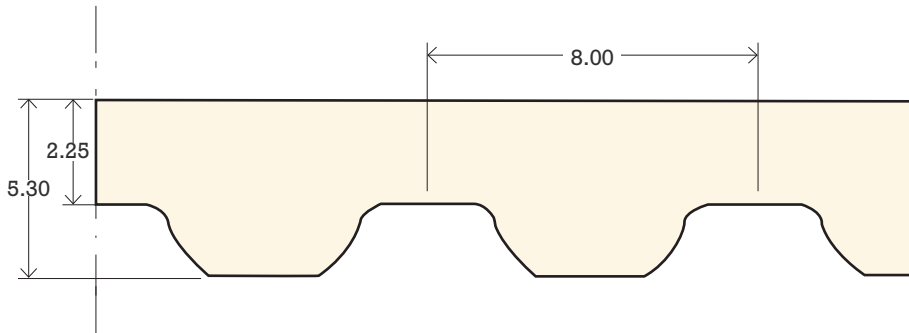
Teeth	PD	OD	F	HD	d	100 (10mm)		150 (15mm)		250 (25mm)		Type
						W	L	W	L	W	L	
12	19.10	18.14	23.00	11.00	4							
13	20.69	19.73	25.00	14.00	5							
14	22.28	21.32	25.00	14.00	5							
15	23.87	22.91	28.00	16.00	5							
16	25.46	24.50	31.00	17.00	5							
18	28.65	27.69	33.00	20.00	5							
19	30.24	29.28	35.00	20.00	5							
20	31.83	30.87	35.00	22.00	5							
21	33.42	32.47	38.00	24.00	6							
22	35.01	34.05	38.00	24.00	6							
24	38.20	37.24	43.00	26.00	6							
25	39.79	38.83	44.00	28.00	6							
26	41.38	40.42	47.00	30.00	6							
28	44.56	43.60	48.00	32.00	6							
30	47.75	46.79	51.00	34.00	6	16	28	22	34	32	44	33
32	50.93	49.97	55.00	37.00	8							33F
34	54.11	53.15	57.00	38.00	8							6
36	57.30	56.34	61.00	38.00	8							6F
38	60.48	59.52	65.00	38.00	8							
40	63.66	62.70	69.00	38.00	8							
42	66.85	65.89	69.00	42.00	8							
44	70.03	69.07	75.00	38.00	8							
46	73.21	72.25	78.00	44.00	8							
48	76.39	75.43	83.00	45.00	8							
50	79.58	78.62	83.00	46.00	8							
54	85.94	84.98	91.00	48.00	8							
56	89.13	88.17	94.00	50.00	8							
58	92.31	91.35	97.00	50.00	8							
60	95.49	94.53	99.00	45.00	8							
72	114.59	113.63	118.00	45.00	8							

Contact **TZPLUS** for made to order / customised pulley



01  
03  
05  
07  
09  
11  
13  
15  
16  
17  
19  
21  
23  
25  
27  
29  
31  
33  
35  
37  
39  
41  
43  
45  
47  
49  
51  
53  
55  
57  
59  
61  
63  
65  
67  
69  
71  
73  
75  
77  
79  
81  
83  
85  
87  
89  
91  
93  
95  
97  
99  
101  
103  
105  
107  
109  
111  
113  
115  
117  
119  
121  
123  
125  
127  
129  
131  
133  
135  
137



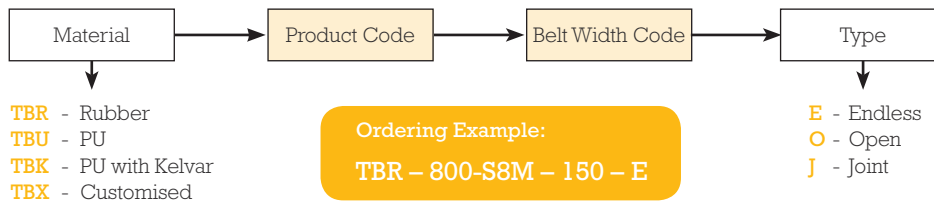


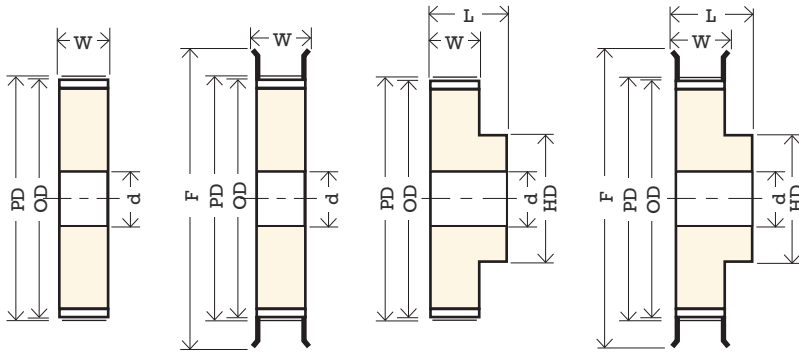
Belt Width Code	Belt Width
150	15
250	25
400	40
600	60

Dimension in mm

Teeth	Pitch Length mm	Product Code	Teeth	Pitch Length mm	Product Code
60	480	480-S8M	150	1200	1200-S8M
65	520	520-S8M	156	1248	1248-S8M
70	560	560-S8M	160	1280	1280-S8M
73	584	584-S8M	163	1304	1304-S8M
75	600	600-S8M	170	1360	1360-S8M
79	632	632-S8M	175	1400	1400-S8M
82	656	656-S8M	180	1440	1440-S8M
89	712	712-S8M	185	1480	1480-S8M
90	720	720-S8M	190	1520	1520-S8M
95	760	760-S8M	200	1600	1600-S8M
100	800	800-S8M	210	1680	1680-S8M
103	824	824-S8M	220	1760	1760-S8M
106	848	848-S8M	222	1776	1776-S8M
110	880	880-S8M	225	1800	1800-S8M
112	896	896-S8M	239	1912	1912-S8M
115	920	920-S8M	250	2000	2000-S8M
118	944	944-S8M	280	2240	2240-S8M
120	960	960-S8M	288	2304	2304-S8M
122	976	976-S8M	300	2400	2400-S8M
125	1000	1000-S8M	312	2496	2496-S8M
130	1040	1040-S8M	325	2600	2600-S8M
132	1056	1056-S8M	350	2800	2800-S8M
135	1080	1080-S8M	400	3200	3200-S8M
140	1120	1120-S8M	460	3680	3680-S8M
142	1136	1136-S8M	550	4400	4400-S8M
145	1160	1160-S8M			

Contact **TZPLUS** for made to order / customised belt





Type: 33

33F

6

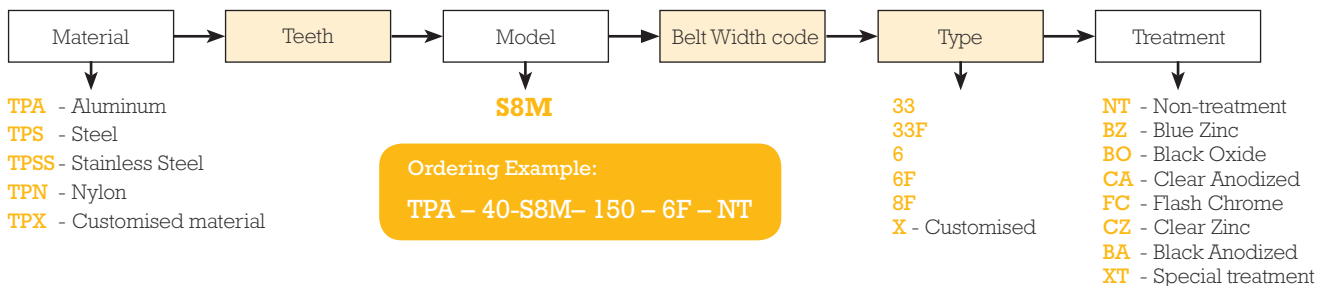
6F

Belt Width Code	Belt Width
150	15
250	25
400	40
600	60

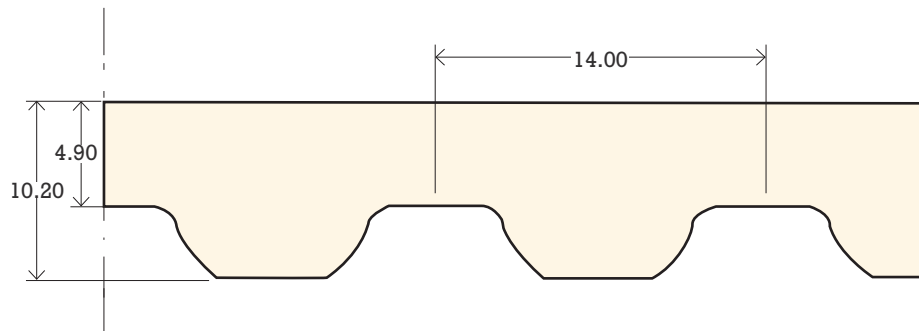
Dimension in mm

Teeth	PD	OD	F	HD	d	150 (15mm)		250 (25mm)		400 (40mm)		600 (60mm)		Type
						W	L	W	L	W	L	W	L	
18	45.84	44.46	54	32	12									33 33F 6 6F
19	48.38	47.01	57	35	12									
20	50.93	49.56	60	36	12									
21	53.48	52.10	62	40	12									
22	56.02	54.65	65	41	12									
24	61.12	59.74	70	46	12									
26	66.21	64.84	75	51	16									
28	71.30	69.93	80	55	16		39		50		66		87	
30	76.39	75.02	85	60	16									
32	81.49	80.12	90	65	16									
34	86.58	85.21	95	70	16									
36	91.67	90.30	100	75	16	24		35		51		72		
40	101.86	100.49	110	85	20									
44	112.05	110.67	121	90	20									
48	122.23	120.86	131	100	20									
50	127.32	125.95	136	100	20		44		55		71		92	
60	152.79	151.42	161	100	20									
72	183.35	181.97	-	110	20									
84	213.90	212.53	-	126	25									
96	244.46	243.09	-	144	25		47		58		74		95	
120	305.58	304.21	-	144	25									
144	366.69	365.32	-	144	30									

Contact **TZPLUS** for made to order / customised pulley



01  
03  
05  
07  
09  
11  
13  
15  
17  
19  
21  
23  
25  
27  
29  
31  
33  
35  
37  
39  
41  
43  
45  
47  
49  
51  
53  
55  
57  
59  
61  
**63**  
65  
67  
69  
71  
73  
75  
77  
79  
81  
83  
85  
87  
89  
91  
93  
95  
97  
99  
101  
103  
105  
107  
109  
111  
113  
115  
117  
119  
121  
123  
125  
127  
129  
131  
133  
135  
137

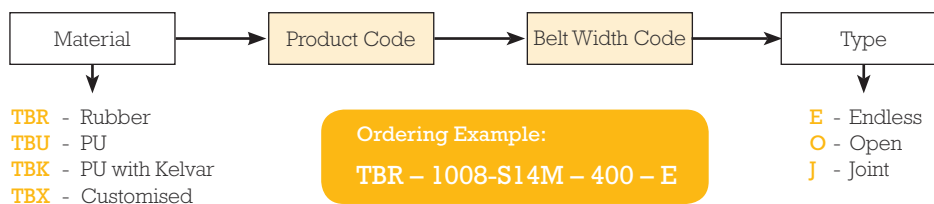


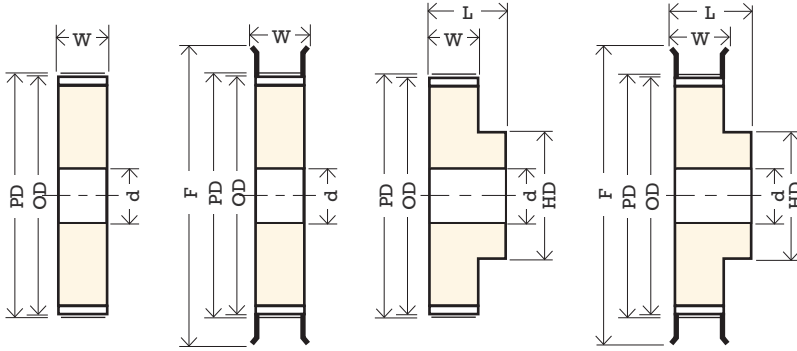
Belt Width Code	Belt Width
400	40
600	60
800	80
1000	100
1200	120

Dimension in mm

Teeth	Pitch Length	Product Code
	mm	
72	1008	1008-S14M
80	1120	1120-S14M
85	1190	1190-S14M
89	1246	1246-S14M
100	1400	1400-S14M
110	1540	1540-S14M
115	1610	1610-S14M
118	1652	1652-S14M
127	1778	1778-S14M
129	1806	1806-S14M
135	1890	1890-S14M
143	2002	2002-S14M
150	2100	2100-S14M
160	2240	2240-S14M
165	2310	2310-S14M
170	2380	2380-S14M
175	2450	2450-S14M
179	2506	2506-S14M
185	2590	2590-S14M
190	2660	2660-S14M
200	2800	2800-S14M
225	3150	3150-S14M
250	3500	3500-S14M
254	3556	3556-S14M
275	3850	3850-S14M
286	4004	4004-S14M
322	4508	4508-S14M
358	5012	5012-S14M

Contact **TZPLUS** for made to order / customised belt





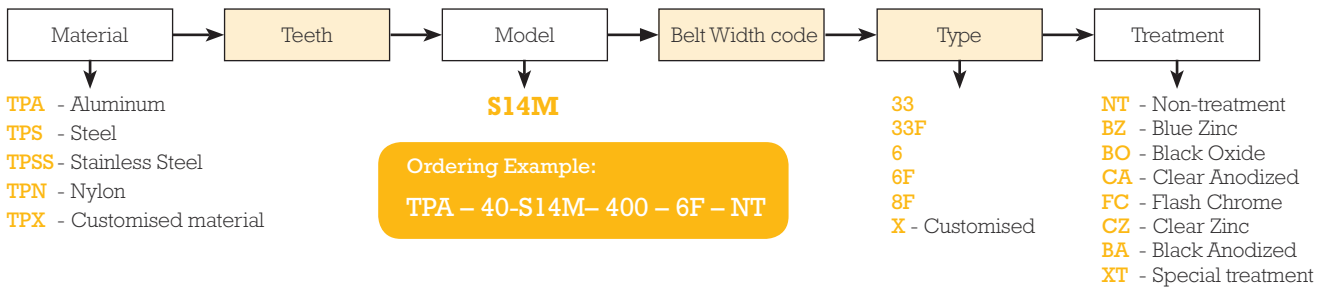
Belt Width Code	Belt Width
400	40
600	60
800	80
1000	100
1200	120

Type: 33                      33F                      6                      6F

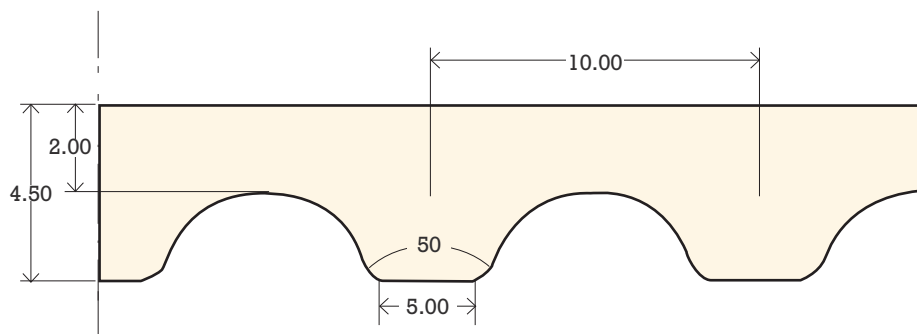
Dimension in mm

Teeth	PD	OD	F	HD	d	400 (40mm)		600 (60mm)		800 (80mm)		1000 (100mm)		1200 (120mm)		Type
						W	L	W	L	W	L	W	L	W	L	
28	124.78	121.98	136	90	25											33 33F 6 6F
30	133.69	130.90	144	100	25											
32	142.60	139.81	152	110	25											
34	151.52	148.72	161	120	25		73		94		115		136		157	
36	160.43	157.63	172	120	25											
40	178.25	175.46	190	135	30											
42	187.17	184.37	200	145	30											
44	196.08	193.28	208	155	30											
48	213.90	211.11	224	160	30											
50	222.82	220.02	235	160	30	53		74		95		116		137		
56	249.55	246.76	260	160	30											
60	267.38	264.59	-	160	35											
64	285.21	282.41	-	160	35		78		99		120		141		162	
72	320.86	318.06	-	170	35											
84	374.33	371.54	-	170	40											
96	427.81	425.01	-	170	40											
120	534.76	531.97	-	175	40											
144	641.71	638.92	-	180	40											

Contact **TZPLUS** for made to order / customised pulley



01  
03  
05  
07  
09  
11  
13  
15  
17  
19  
21  
23  
25  
27  
29  
31  
33  
35  
37  
39  
41  
43  
45  
47  
49  
51  
53  
55  
57  
59  
61  
63  
**65**  
67  
69  
71  
73  
75  
77  
79  
81  
83  
85  
87  
89  
91  
93  
95  
97  
99  
101  
103  
105  
107  
109  
111  
113  
115  
117  
119  
121  
123  
125  
127  
129  
131  
133  
135  
137

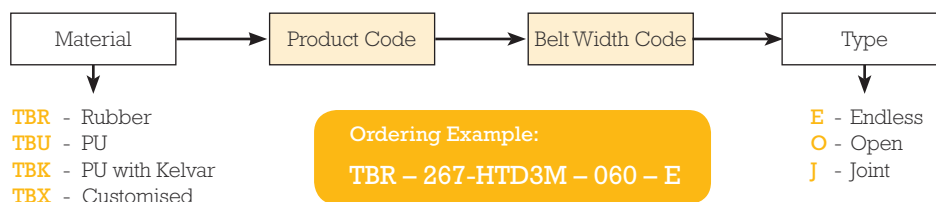


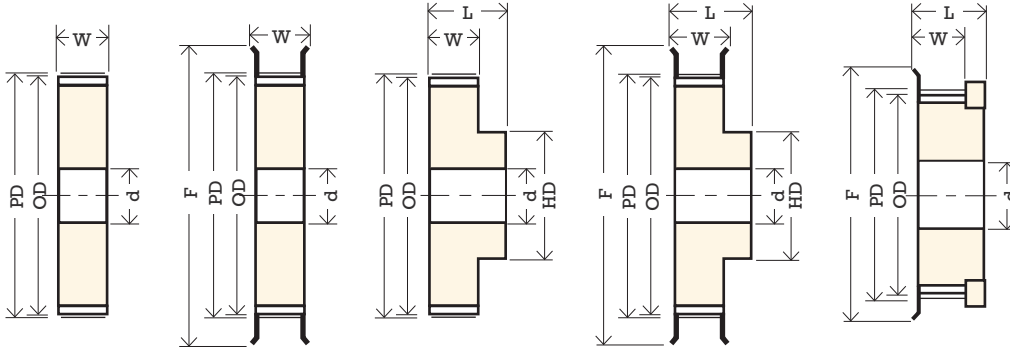
Belt Width Code	Belt Width
060	6
100	10
150	15

Dimension in mm

Teeth	Pitch Length mm	Product Code	Teeth	Pitch Length mm	Product Code	Teeth	Pitch Length mm	Product Code
37	111	111-HTD3M	95	285	285-HTD3M	200	600	600-HTD3M
39	117	117-HTD3M	98	294	294-HTD3M	202	606	606-HTD3M
43	129	129-HTD3M	100	300	300-HTD3M	204	612	612-HTD3M
47	141	141-HTD3M	104	312	312-HTD3M	211	633	633-HTD3M
48	144	144-HTD3M	106	318	318-HTD3M	223	669	669-HTD3M
50	150	150-HTD3M	112	336	336-HTD3M	236	708	708-HTD3M
52	156	156-HTD3M	113	339	339-HTD3M	237	711	711-HTD3M
53	159	159-HTD3M	121	363	363-HTD3M	246	738	738-HTD3M
56	168	168-HTD3M	128	384	384-HTD3M	251	753	753-HTD3M
58	174	174-HTD3M	130	390	390-HTD3M	274	822	822-HTD3M
59	177	177-HTD3M	140	420	420-HTD3M	281	843	843-HTD3M
60	180	180-HTD3M	149	447	447-HTD3M	294	882	882-HTD3M
62	186	186-HTD3M	158	474	474-HTD3M	315	945	945-HTD3M
64	192	192-HTD3M	160	480	480-HTD3M	347	1041	1041-HTD3M
66	201	201-HTD3M	162	486	486-HTD3M	356	1068	1068-HTD3M
68	204	204-HTD3M	165	495	495-HTD3M	357	1071	1071-HTD3M
70	210	210-HTD3M	167	501	501-HTD3M	375	1125	1125-HTD3M
71	213	213-HTD3M	171	513	513-HTD3M	415	1245	1245-HTD3M
72	216	216-HTD3M	174	522	522-HTD3M	421	1263	1263-HTD3M
75	225	225-HTD3M	175	525	525-HTD3M	500	1500	1500-HTD3M
80	240	240-HTD3M	177	531	531-HTD3M	510	1530	1530-HTD3M
82	246	246-HTD3M	179	537	537-HTD3M	523	1569	1569-HTD3M
84	252	252-HTD3M	188	564	564-HTD3M			
85	255	255-HTD3M	190	570	570-HTD3M			
89	267	267-HTD3M	199	597	597-HTD3M			

Contact **TZPLUS** for made to order / customised belt





Belt Width Code	Belt Width
060	6
100	10
150	15

Type: 33

33F

6

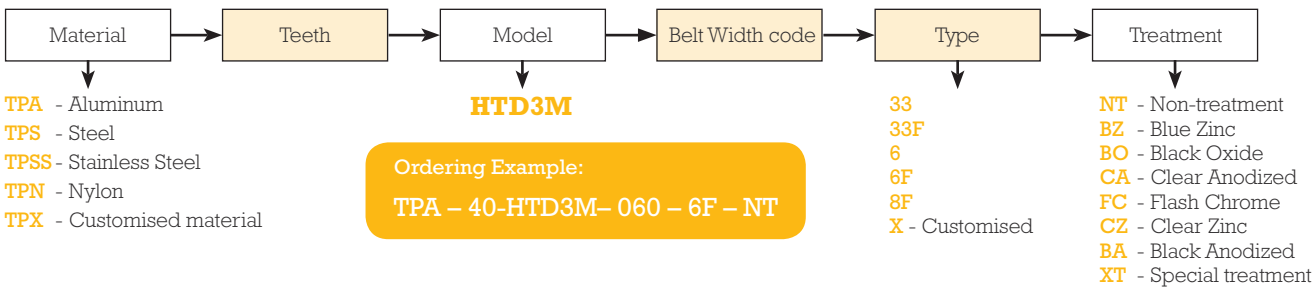
6F

8

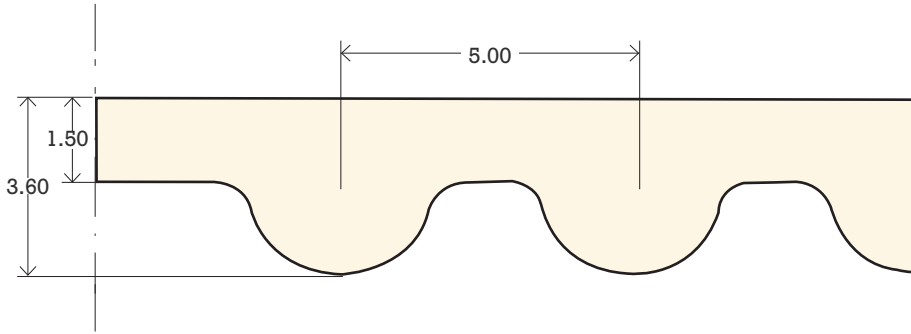
Dimension in mm

Teeth	PD	OD	F	HD	d	060 (6mm)		100 (10mm)		150 (15mm)		Type
						W	L	W	L	W	L	
10	9.55	8.79	14	12	-							8 33 33F 6 6F
11	10.50	9.74	14	12	-							
12	11.46	10.70	14	15	-							
13	12.41	11.65	16	15	-							
14	13.37	12.61	16	16	-							
15	16.32	13.56	18	16	-							
16	15.28	14.52	18	9	4							33 33F 6 6F
18	17.19	16.43	23	10	6							
19	18.14	17.38	25	10	6							
20	19.10	18.34	25	10	6							
21	20.05	19.29	25	11	6							
22	21.01	20.25	25	11	6							
24	22.92	22.16	28	14	6							
25	23.87	23.11	28	14	6	11	19	15	23	21	29	
26	24.83	24.07	28	15	6							
28	26.74	25.98	31	17	6							
30	28.65	27.89	33	19	6							
32	30.56	29.80	33	20	6							
34	32.47	31.71	38	22	6							
36	34.38	33.62	38	24	6							
38	36.29	35.53	43	26	6							
40	38.20	37.44	44	28	6							
44	42.02	41.26	48	32	6							
46	43.93	43.16	51	32	6							
48	45.84	45.08	51	32	8							
60	57.30	56.54	65	36	8							
72	68.76	68.00	75	36	8							

Contact **TZPLUS** for made to order / customised pulley



01  
03  
05  
07  
09  
11  
13  
15  
17  
19  
21  
23  
25  
27  
29  
31  
33  
35  
37  
39  
41  
43  
45  
47  
49  
51  
53  
55  
57  
59  
61  
63  
65  
**67**  
69  
71  
73  
75  
77  
79  
81  
83  
85  
87  
89  
91  
93  
95  
97  
99  
101  
103  
105  
107  
109  
111  
113  
115  
117  
119  
121  
123  
125  
127  
129  
131  
133  
135  
137



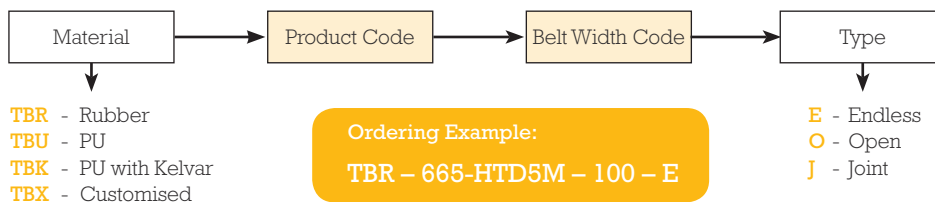
Belt Width Code	Belt Width
100	10
150	15
250	25

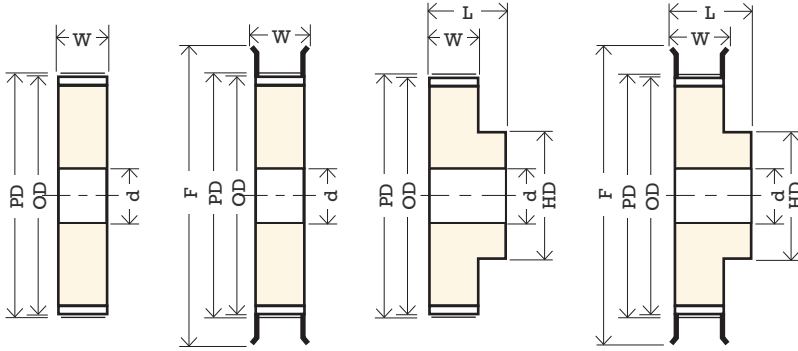
Dimension in mm

Teeth	Pitch Length mm	Product Code	Teeth	Pitch Length mm	Product Code
45	225	225-HTD5M	140	700	700-HTD5M
53	265	265-HTD5M	142	710	710-HTD5M
55	275	275-HTD5M	148	740	740-HTD5M
59	295	295-HTD5M	151	755	755-HTD5M
60	300	300-HTD5M	160	800	800-HTD5M
66	330	330-HTD5M	167	835	835-HTD5M
70	350	350-HTD5M	178	890	890-HTD5M
75	375	375-HTD5M	180	900	900-HTD5M
80	400	400-HTD5M	185	925	925-HTD5M
85	425	425-HTD5M	190	950	950-HTD5M
90	450	450-HTD5M	200	1000	1000-HTD5M
92	460	460-HTD5M	210	1050	1050-HTD5M
95	475	475-HTD5M	225	1125	1125-HTD5M
100	500	500-HTD5M	254	1270	1270-HTD5M
105	525	525-HTD5M	284	1420	1420-HTD5M
107	535	535-HTD5M	300	1500	1500-HTD5M
110	550	550-HTD5M	319	1595	1595-HTD5M
113	565	565-HTD5M	358	1790	1790-HTD5M
116	580	580-HTD5M	360	1800	1800-HTD5M
120	600	600-HTD5M	374	1870	1870-HTD5M
123	615	615-HTD5M	400	2000	2000-HTD5M
124	620	620-HTD5M	505	2525	2525-HTD5M
133	665	665-HTD5M			

68

Contact **TZPLUS** for made to order / customised belt





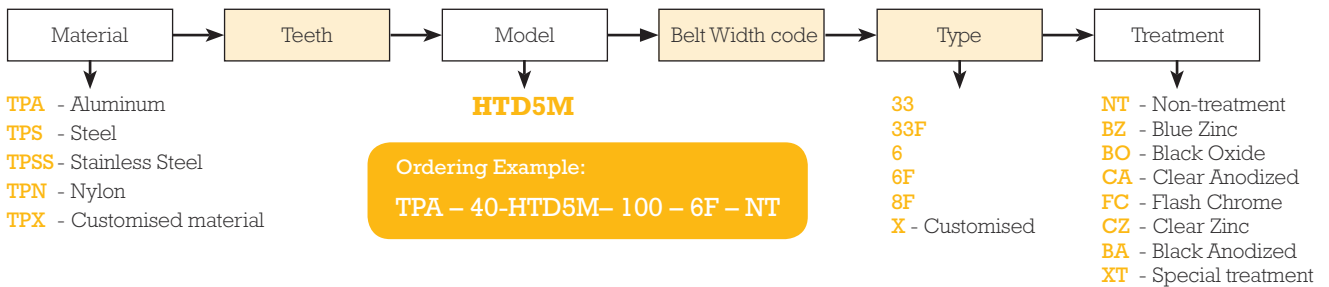
Type: 33                      33F                      6                      6F

Belt Width Code	Belt Width
100	10
150	15
250	25

Dimension in mm

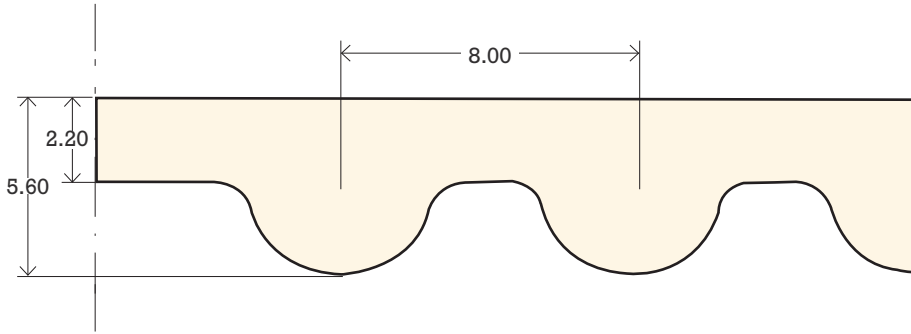
Teeth	PD	OD	F	HD	d	100 (10mm)		150 (15mm)		250 (25mm)		Type
						W	L	W	L	W	L	
12	19.10	17.96	23	11	4							
13	20.69	19.55	25	14	5							
14	22.28	21.14	25	14	5							
15	23.87	22.73	28	16	5							
16	25.47	24.33	31	17	5							
18	28.65	27.51	33	20	5							
19	30.24	29.10	35	20	5							
20	31.83	30.69	35	22	5							
21	33.42	32.28	38	24	6							
22	35.02	33.88	38	24	6							
24	38.20	37.06	43	26	6							
25	39.79	38.65	44	28	6							
26	41.38	40.24	47	30	6							
28	44.56	43.42	48	32	6							
30	47.75	46.61	51	34	6							
32	50.93	49.79	55	37	8	16	28	22	34	32	44	33 33F 6 6F
34	54.11	52.98	57	38	8							
36	57.30	56.16	61	38	8							
38	60.48	59.34	65	38	8							
40	63.66	62.52	69	38	8							
42	66.85	65.70	69	42	8							
44	70.03	68.89	75	38	8							
46	73.21	72.07	78	44	8							
48	76.40	75.26	83	45	8							
50	79.58	78.43	83	46	8							
54	85.94	84.80	91	48	8							
56	89.13	87.98	94	50	8							
58	92.31	91.17	97	50	8							
60	95.50	94.36	99	45	8							
72	114.59	113.45	118	45	8							

Contact **TZPLUS** for made to order / customised pulley



01  
03  
05  
07  
09  
11  
13  
15  
16  
17  
19  
21  
23  
25  
27  
29  
31  
33  
35  
37  
39  
41  
43  
45  
47  
49  
51  
53  
55  
57  
59  
61  
63  
65  
67  
69  
71  
73  
75  
77  
79  
81  
83  
85  
87  
89  
91  
93  
95  
97  
99  
101  
103  
105  
107  
109  
111  
113  
115  
117  
119  
121  
123  
125  
127  
129  
131  
133  
135  
137



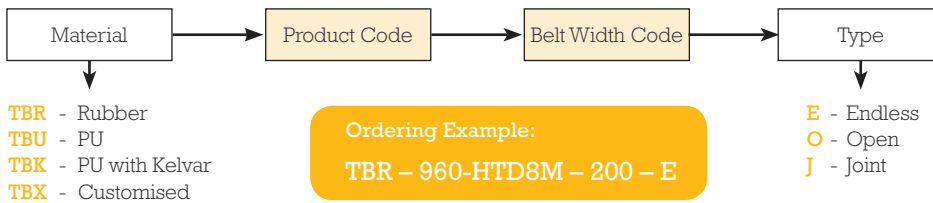


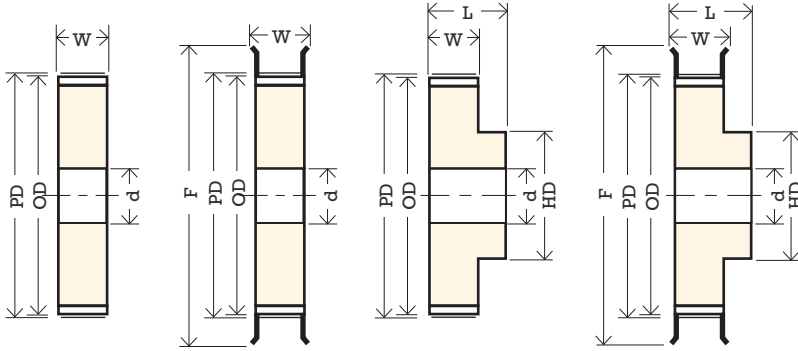
Belt Width Code	Belt Width
200	20
300	30
500	50
850	85

Dimension in mm

Teeth	Pitch Length mm	Product Code	Teeth	Pitch Length mm	Product Code
47	376	376-HTD8M	120	960	960-HTD8M
53	424	424-HTD8M	130	1040	1040-HTD8M
59	472	472-HTD8M	140	1120	1120-HTD8M
60	480	480-HTD8M	150	1200	1200-HTD8M
70	560	560-HTD8M	160	1280	1280-HTD8M
75	600	600-HTD8M	163	1304	1304-HTD8M
78	624	624-HTD8M	166	1328	1328-HTD8M
80	640	640-HTD8M	170	1360	1360-HTD8M
82	656	656-HTD8M	178	1424	1424-HTD8M
90	720	720-HTD8M	180	1440	1440-HTD8M
97	776	776-HTD8M	200	1600	1600-HTD8M
98	784	784-HTD8M	220	1760	1760-HTD8M
100	800	800-HTD8M	225	1800	1800-HTD8M
110	880	880-HTD8M	281	2248	2248-HTD8M
114	912	912-HTD8M	300	2400	2400-HTD8M
115	920	920-HTD8M	350	2800	2800-HTD8M

Contact **TZPLUS** for made to order / customised belt





Belt Width Code	Belt Width
200	20
300	30
500	50
850	85

Type: 33

33F

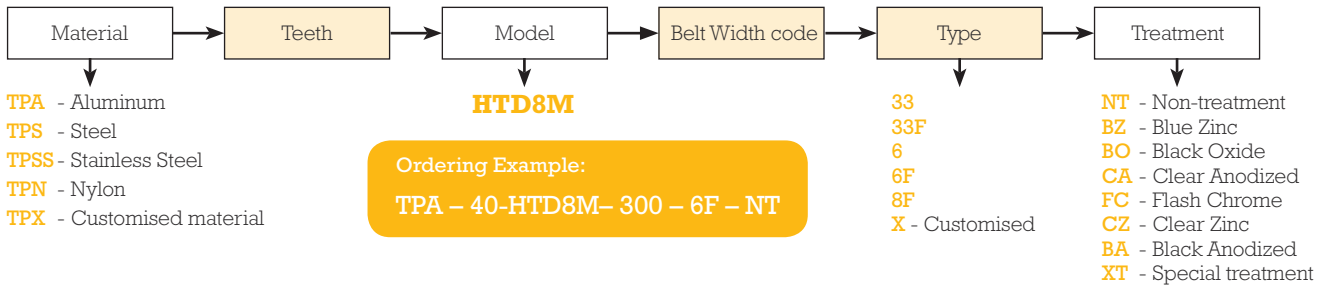
6

6F

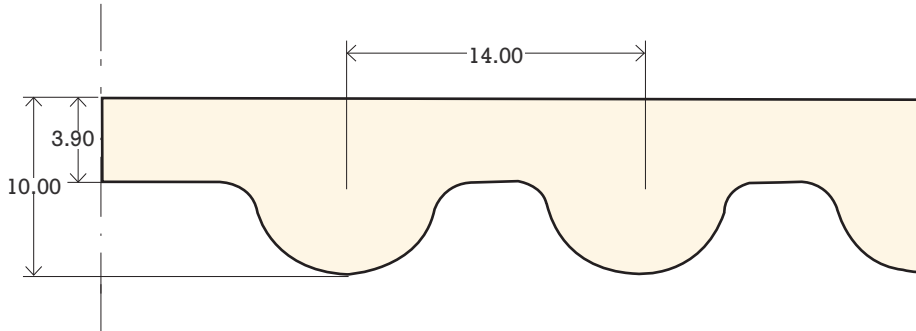
Dimension in mm

Teeth	PD	OD	F	HD	d	200 (20mm)		300 (30mm)		500 (50mm)		850 (85mm)		Type
						W	L	W	L	W	L	W	L	
18	45.84	44.47	48	32	10									33 33F 6 6F
19	48.38	47.01	51	32	10									
20	50.93	49.56	54	35	10									
21	53.48	52.11	57	39	10									
22	56.02	54.65	61	43	12									
24	61.12	59.75	67	45	12									
26	66.21	64.84	70	50	12									
28	71.30	69.93	75	50	15		37		48		53		64	
30	76.40	75.16	83	55	15									
32	81.49	80.12	86	60	15									
34	86.58	85.21	91	70	15									
36	91.68	90.31	97	70	15									
38	96.77	95.40	105	75	15	22		33		38		49		
40	101.86	100.49	105	75	15									
44	112.05	110.68	119	75	15									
48	122.23	120.86	126	75	15									
56	142.61	141.24	146	80	15									
64	162.98	161.61	165	80	15									
72	183.35	181.98	190	80	15									
80	203.82	202.35	208	90	15		42		53		58		69	
90	229.19	227.82	-	90	15									
112	285.21	283.84	-	90	18									
144	366.70	365.33	-	90	20									
168	427.82	426.45	-	100	20									
192	488.94	487.57	-	100	20									

Contact **TZPLUS** for made to order / customised pulley



01  
03  
05  
07  
09  
11  
13  
15  
17  
19  
21  
23  
25  
27  
29  
31  
33  
35  
37  
39  
41  
43  
45  
47  
49  
51  
53  
55  
57  
59  
61  
63  
65  
67  
69  
71  
73  
75  
77  
79  
81  
83  
85  
87  
89  
91  
93  
95  
97  
99  
101  
103  
105  
107  
109  
111  
113  
115  
117  
119  
121  
123  
125  
127  
129  
131  
133  
135  
137

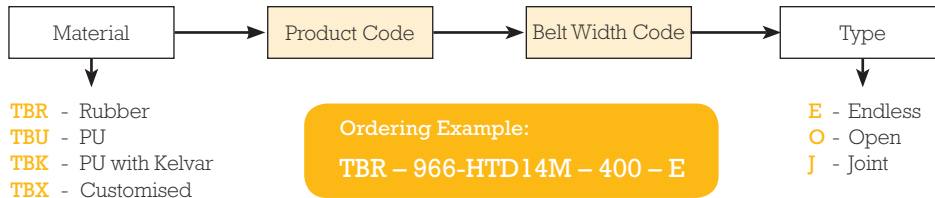


Belt Width Code	Belt Width
400	40
500	50
850	85
1150	115

Dimension in mm

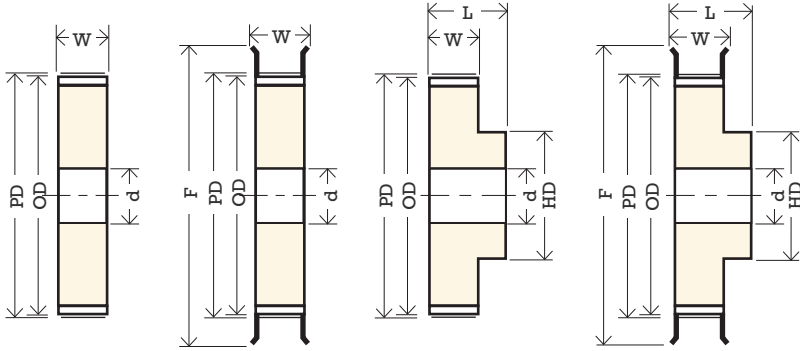
Teeth	Pitch Length	Product Code
	mm	
69	966	966-HTD14M
85	1190	1190-HTD14M
115	1610	1610-HTD14M
135	1890	1890-HTD14M
150	2100	2100-HTD14M
165	2310	2310-HTD14M
185	2590	2590-HTD14M
200	2800	2800-HTD14M
225	3150	3150-HTD14M
275	3850	3850-HTD14M
309	4326	4326-HTD14M
327	4578	4578-HTD14M

Contact **TZPLUS** for made to order / customised belt



72

74  
76  
78  
80  
82  
84  
86  
88  
90  
92  
94  
96  
98  
100  
102  
104  
106  
108  
110  
112  
114  
116  
118  
120  
122  
124  
126  
128  
130  
132  
134  
136



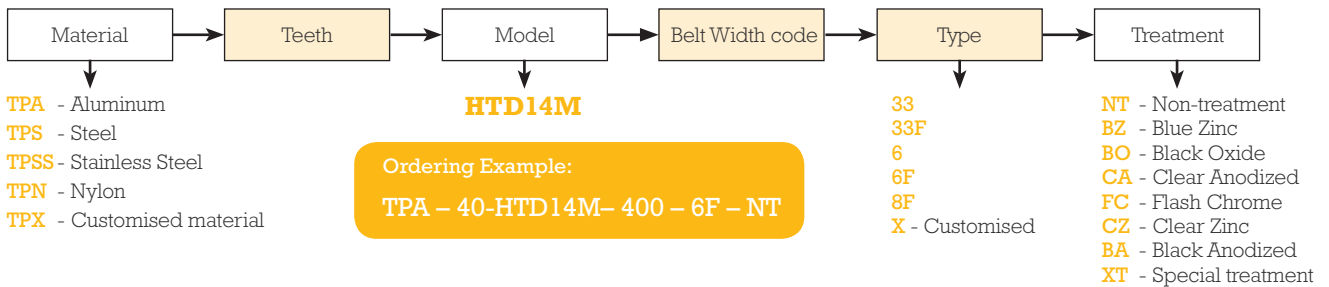
Belt Width Code	Belt Width
400	40
500	50
850	85
1150	115

Type: 33                      33F                      6                      6F

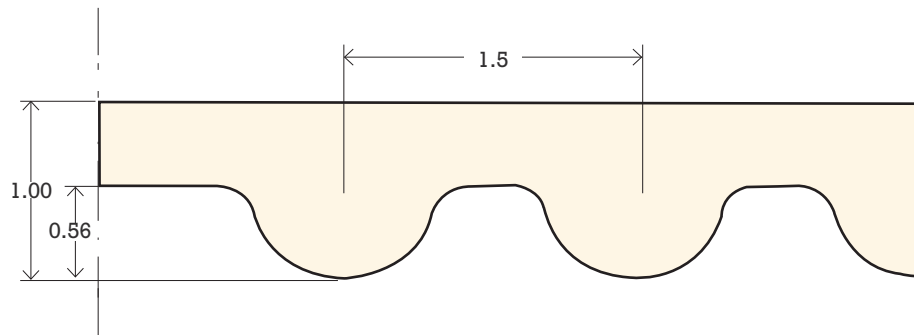
Dimension in mm

Teeth	PD	OD	F	HD	d	400 (40mm)		500 (50mm)		850 (85mm)		1150 (115mm)		Type
						W	L	W	L	W	L	W	L	
28	124.78	121.98	126	80	24									33 33F 6 6F
29	129.24	126.44	136	100	24									
30	133.69	130.89	144	100	24									
32	142.61	139.81	152	100	24									
34	151.52	148.72	160	100	24									
36	160.43	157.63	170	100	24									
38	169.35	166.55	183	120	24									
40	178.26	175.46	190	120	24									
44	196.08	193.28	211	120	24									
48	213.91	211.11	224	135	24	54	69	70	85	102	117	133	148	
56	249.56	246.76	260	135	28									
64	285.21	282.41	-	135	28									
72	320.87	318.07	-	135	28									
80	356.52	353.72	-	135	28									
90	401.08	398.28	-	135	28									
112	499.12	496.32	-	135	28									
144	641.73	638.93	-	135	28									
168	748.69	745.89	-	135	28									
192	855.64	852.84	-	135	28									
216	962.59	959.80	-	150	28									

Contact **TZPLUS** for made to order / customised pulley



01  
03  
05  
07  
09  
11  
13  
15  
17  
19  
21  
23  
25  
27  
29  
31  
33  
35  
37  
39  
41  
43  
45  
47  
49  
51  
53  
55  
57  
59  
61  
63  
65  
67  
69  
71  
73  
75  
77  
79  
81  
83  
85  
87  
89  
91  
93  
95  
97  
99  
101  
103  
105  
107  
109  
111  
113  
115  
117  
119  
121  
123  
125  
127  
129  
131  
133  
135  
137

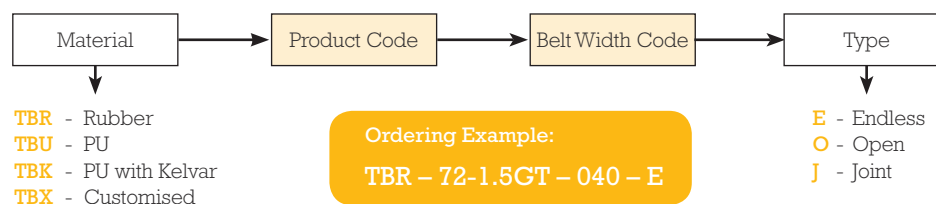


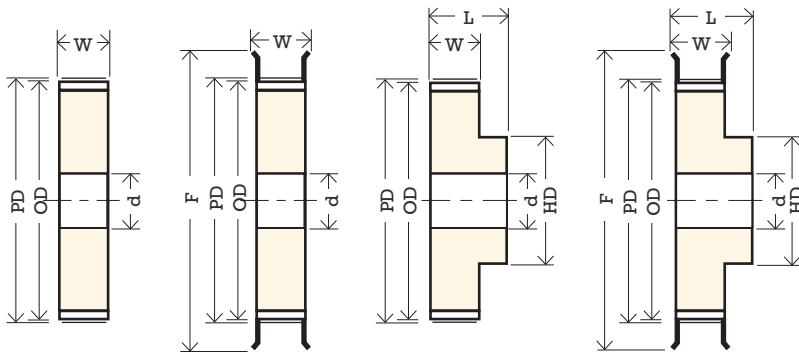
Belt Width Code	Belt Width
040	4
060	6
100	10
150	15

Dimension in mm

Teeth	Pitch Length mm	Product Code	Teeth	Pitch Length mm	Product Code	Teeth	Pitch Length mm	Product Code
27	40.5	40X-1.5GT	112	168.0	168-1.5GT	226	339.0	339-1.5GT
30	45.0	45-1.5GT	116	174.0	174-1.5GT	232	348.0	348-1.5GT
34	51.0	51-1.5GT	117	175.5	175X-1.5GT	240	360.0	360-1.5GT
41	61.5	61X-1.5GT	121	181.5	181X-1.5GT	244	366.0	366-1.5GT
46	69.0	69-1.5GT	123	184.5	184X-1.5GT	249	373.5	373X-1.5GT
47	70.5	70X-1.5GT	124	186.0	186-1.5GT	256	384.0	384-1.5GT
48	72.0	72-1.5GT	126	189.0	189-1.5GT	260	390.0	390-1.5GT
49	73.5	73X-1.5GT	127	190.5	190X-1.5GT	270	405.0	405-1.5GT
51	76.5	76X-1.5GT	130	195.0	195-1.5GT	285	427.5	427X-1.5GT
53	79.5	79X-1.5GT	133	199.5	199X-1.5GT	288	432.0	432-1.5GT
54	81.0	81-1.5GT	135	202.5	202X-1.5GT	296	444.0	444-1.5GT
57	85.5	85X-1.5GT	136	204.0	204-1.5GT	321	481.5	481X-1.5GT
58	87.0	87-1.5GT	138	207.0	207-1.5GT	322	483.0	483-1.5GT
60	90.0	90-1.5GT	140	210.0	210-1.5GT	327	490.5	490X-1.5GT
61	91.5	91X-1.5GT	142	213.0	213-1.5GT	328	492.0	492-1.5GT
64	96.0	96-1.5GT	144	216.0	216-1.5GT	329	493.5	493X-1.5GT
65	97.5	97X-1.5GT	145	217.5	217X-1.5GT	332	498.0	498-1.5GT
67	100.5	100X-1.5GT	146	219.0	219-1.5GT	375	562.5	562X-1.5GT
69	103.5	103X-1.5GT	152	228.0	228-1.5GT	393	589.5	589X-1.5GT
73	109.5	109X-1.5GT	154	231.0	231-1.5GT	399	598.5	598X-1.5GT
76	114.0	114-1.5GT	155	232.5	232X-1.5GT	420	630.0	630-1.5GT
82	123.0	123-1.5GT	160	240.0	240-1.5GT	428	642.0	642-1.5GT
83	124.5	124X-1.5GT	164	246.0	246-1.5GT	436	654.0	654-1.5GT
84	126.0	126-1.5GT	166	249.0	249-1.5GT	441	661.5	661X-1.5GT
86	129.0	129-1.5GT	168	252.0	252-1.5GT	452	678.0	678-1.5GT
90	135.0	135-1.5GT	178	267.0	267-1.5GT	466	699.0	699-1.5GT
91	136.5	136X-1.5GT	186	279.0	279-1.5GT	496	744.0	744-1.5GT
94	141.0	141-1.5GT	195	292.5	292X-1.5GT	508	762.0	762-1.5GT
97	145.5	145X-1.5GT	202	303.0	303-1.5GT	541	811.5	811X-1.5GT
100	150.0	150-1.5GT	203	304.5	304X-1.5GT	547	820.5	820X-1.5GT
104	156.0	156-1.5GT	210	315.0	315-1.5GT	553	829.5	829X-1.5GT
107	160.5	160X-1.5GT	211	316.5	316X-1.5GT	594	891.0	891-1.5GT
109	163.5	163X-1.5GT	216	324.0	324-1.5GT	621	931.5	931X-1.5GT
110	165.0	165-1.5GT	220	330.0	330-1.5GT	672	1008.0	1008-1.5GT

Contact **TZPLUS** for made to order / customised belt





Belt Width Code	Belt Width
040	4
060	6
100	10
150	15

Type: 33

33F

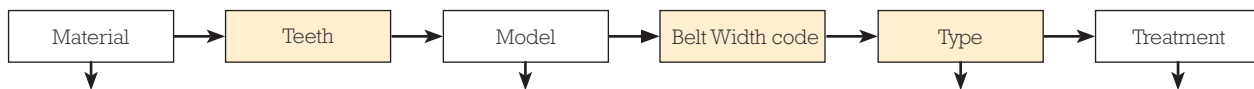
6

6F

Dimension in mm

Teeth	PD	OD	F	HD	d	040 (4mm)		060 (6mm)		100 (10mm)		150 (15mm)		Type
						W	L	W	L	W	L	W	L	
8	3.82	3.36	-	-	-									8
14	6.68	6.22	14	14	-									33
19	9.07	8.61	14	14	-									33F
22	10.50	10.04	14	14	-									6
26	12.41	11.95	16	8	3									6F
30	14.32	13.86	18	9	3									
34	16.23	15.77	20	10	4									
37	17.67	17.21	20	10	4									
43	20.53	20.07	25	12	4									
46	21.96	21.50	25	14	5									
48	22.92	22.46	25	14	5									
54	25.78	25.32	28	16	5									
59	28.17	27.71	31	18	5									
63	30.08	29.62	33	20	5									
66	31.51	31.05	35	20	5	9	17	11	19	15	23	21	29	33
74	35.33	34.87	38	24	6									33F
78	37.24	36.78	41	26	6									6
81	38.67	38.21	44	32	6									6F
85	40.58	40.12	47	32	6									
87	41.54	41.08	47	32	6									
90	42.97	42.51	48	34	8									
92	43.93	43.47	48	34	8									
95	45.36	44.90	48	34	8									
97	46.31	45.85	51	38	8									
100	47.75	47.29	54	38	8									
101	48.22	47.76	54	38	8									
102	48.70	48.24	54	36	8									
103	49.18	48.72	55	36	8									
104	49.66	49.20	55	36	8									
105	50.13	49.67	55	36	8									

Contact **TZPLUS** for made to order / customised pulley



- TPA - Aluminum
- TPS - Steel
- TPSS - Stainless Steel
- TPN - Nylon
- TPX - Customised material

**1.5GT**

Ordering Example:

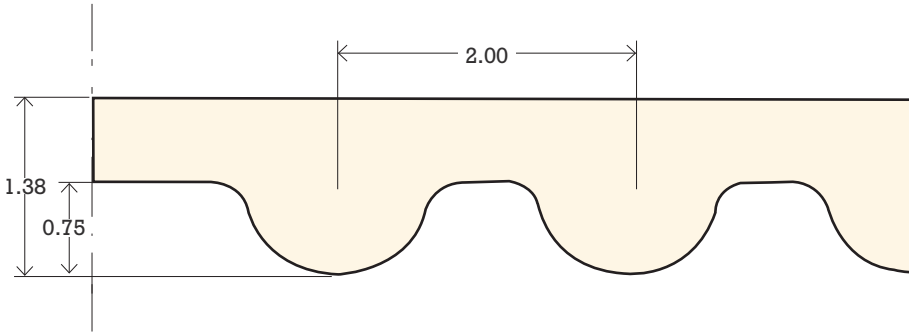
TPA - 66-1.5GT- 040 - 6F - NT

- 33
- 33F
- 6
- 6F
- 8F
- X - Customised

- NT - Non-treatment
- BZ - Blue Zinc
- BO - Black Oxide
- CA - Clear Anodized
- FC - Flash Chrome
- CZ - Clear Zinc
- BA - Black Anodized
- XT - Special treatment

01  
03  
05  
07  
09  
11  
13  
15  
17  
19  
21  
23  
25  
27  
29  
31  
33  
35  
37  
39  
41  
43  
45  
47  
49  
51  
53  
55  
57  
59  
61  
63  
65  
67  
69  
71  
73  
75  
77  
79  
81  
83  
85  
87  
89  
91  
93  
95  
97  
99  
101  
103  
105  
107  
109  
111  
113  
115  
117  
119  
121  
123  
125  
127  
129  
131  
133  
135  
137

02  
04  
06  
08  
10  
12  
14  
16  
18  
20  
22  
24  
26  
28  
30  
32  
34  
36  
38  
40  
42  
44  
46  
48  
50  
52  
54  
56  
58  
60  
62  
64  
66  
68  
70  
72  
74  
76  
78  
80  
82  
84  
86  
88  
90  
92  
94  
96  
98  
100  
102  
104  
106  
108  
110  
112  
114  
116  
118  
120  
122  
124  
126  
128  
130  
132  
134  
136

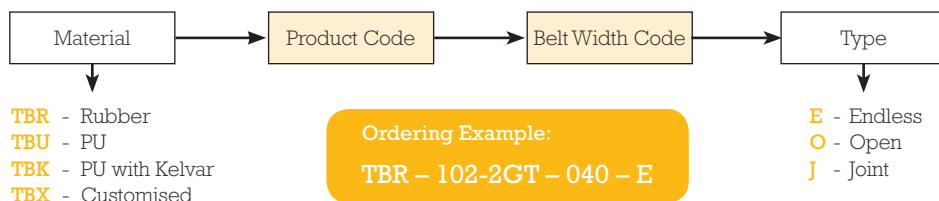


Belt Width Code	Belt Width
040	4
060	6
090	9
150	15

Dimension in mm

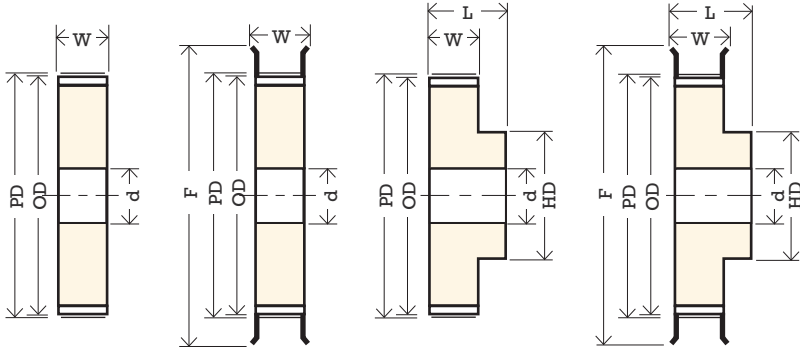
Teeth	Pitch Length mm	Product Code	Teeth	Pitch Length mm	Product Code	Teeth	Pitch Length mm	Product Code	Teeth	Pitch Length mm	Product Code	Teeth	Pitch Length mm	Product Code
33	66	66-2GT	76	152	152-2GT	122	244	244-2GT	175	350	350-2GT	272	544	544-2GT
36	72	72-2GT	77	154	154-2GT	124	248	248-2GT	176	352	352-2GT	275	550	550-2GT
37	74	74-2GT	78	156	156-2GT	125	250	250-2GT	177	354	354-2GT	279	558	558-2GT
38	76	76-2GT	79	158	158-2GT	126	252	252-2GT	179	358	358-2GT	285	570	570-2GT
39	78	78-2GT	80	160	160-2GT	127	254	254-2GT	180	360	360-2GT	286	572	572-2GT
40	80	80-2GT	81	162	162-2GT	128	256	256-2GT	183	366	366-2GT	289	578	578-2GT
41	82	82-2GT	82	164	164-2GT	129	258	258-2GT	185	370	370-2GT	293	586	586-2GT
42	84	84-2GT	83	166	166-2GT	130	260	260-2GT	186	372	372-2GT	299	598	598-2GT
43	86	86-2GT	84	168	168-2GT	132	264	264-2GT	188	376	376-2GT	300	600	600-2GT
44	88	88-2GT	85	170	170-2GT	133	266	266-2GT	190	380	380-2GT	303	606	606-2GT
45	90	90-2GT	86	172	172-2GT	134	268	268-2GT	191	382	382-2GT	308	616	616-2GT
46	92	92-2GT	87	174	174-2GT	135	270	270-2GT	193	386	386-2GT	315	630	630-2GT
47	94	94-2GT	88	176	176-2GT	139	278	278-2GT	197	394	394-2GT	317	634	634-2GT
48	96	96-2GT	89	178	178-2GT	140	280	280-2GT	200	400	400-2GT	323	646	646-2GT
49	98	98-2GT	90	180	180-2GT	141	282	282-2GT	203	406	406-2GT	330	660	660-2GT
50	100	100-2GT	91	182	182-2GT	142	284	284-2GT	206	412	412-2GT	335	670	670-2GT
51	102	102-2GT	92	184	184-2GT	143	286	286-2GT	210	420	420-2GT	338	676	676-2GT
53	106	106-2GT	93	186	186-2GT	144	288	288-2GT	213	426	426-2GT	345	690	690-2GT
54	108	108-2GT	94	188	188-2GT	145	290	290-2GT	215	430	430-2GT	348	696	696-2GT
55	110	110-2GT	95	190	190-2GT	146	292	292-2GT	218	436	436-2GT	351	702	702-2GT
56	112	112-2GT	96	194	192-2GT	147	294	294-2GT	220	440	440-2GT	363	726	726-2GT
57	114	114-2GT	97	194	194-2GT	150	300	300-2GT	222	444	444-2GT	371	742	742-2GT
58	116	116-2GT	98	196	196-2GT	151	302	302-2GT	223	446	446-2GT	376	752	752-2GT
59	118	118-2GT	100	200	200-2GT	152	304	304-2GT	224	448	448-2GT	380	760	760-2GT
60	120	120-2GT	101	202	202-2GT	154	308	308-2GT	226	452	452-2GT	386	772	772-2GT
61	122	122-2GT	102	204	204-2GT	155	310	310-2GT	230	460	460-2GT	391	782	782-2GT
62	124	124-2GT	104	208	208-2GT	157	314	314-2GT	235	470	470-2GT	400	800	800-2GT
63	126	126-2GT	105	200	210-2GT	159	318	318-2GT	239	478	478-2GT	405	810	810-2GT
64	128	128-2GT	106	212	212-2GT	160	320	320-2GT	242	484	484-2GT	426	852	852-2GT
65	130	130-2GT	107	214	214-2GT	161	322	322-2GT	243	486	486-2GT	430	860	860-2GT
66	132	132-2GT	108	216	216-2GT	162	324	324-2GT	244	488	488-2GT	433	866	866-2GT
67	134	134-2GT	110	220	220-2GT	163	326	326-2GT	246	492	492-2GT	446	892	892-2GT
68	136	136-2GT	112	224	224-2GT	164	328	328-2GT	247	494	494-2GT	450	900	900-2GT
69	138	138-2GT	113	226	226-2GT	166	332	332-2GT	250	500	500-2GT	465	930	930-2GT
70	140	140-2GT	114	228	228-2GT	168	336	336-2GT	251	502	502-2GT	475	950	950-2GT
71	142	142-2GT	115	230	230-2GT	169	338	338-2GT	252	504	504-2GT	488	976	976-2GT
72	144	144-2GT	116	232	232-2GT	170	340	340-2GT	253	506	506-2GT	497	994	994-2GT
73	146	146-2GT	118	236	236-2GT	172	344	344-2GT	258	516	516-2GT			
74	148	148-2GT	120	240	240-2GT	173	346	346-2GT	262	524	524-2GT			
75	150	150-2GT	121	242	242-2GT	174	348	348-2GT	265	530	530-2GT			

Contact **TZPLUS** for made to order / customised belt



- TBR - Rubber
- TBU - PU
- TBK - PU with Kelvar
- TBX - Customised

- E - Endless
- O - Open
- J - Joint



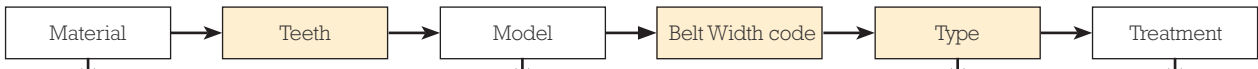
Belt Width Code	Belt Width
040	4
060	6
090	9
150	15

Type: 33                      33F                      6                      6F

Dimension in mm

Teeth	PD	OD	F	HD	d	040 (4mm)		060 (6mm)		090 (9mm)		150 (15mm)		Type
						W	L	W	L	W	L	W	L	
8	5.09	4.58	14	-	-									33 33F
12	7.54	7.13	14	-	-									
14	8.91	8.40	14	-	-									
15	9.55	9.04	14	-	-									
16	10.19	9.68	14	-	-									
18	11.46	10.95	14	-	-									
20	12.83	12.22	14	-	-									
21	13.37	12.86	18	-	-									
22	14.01	13.50	18	8	-									
23	14.64	14.13	18	8	-									
24	15.28	14.77	20	10	4								33 33F 6 6F	
25	15.92	15.41	20	10	4									
26	16.55	16.04	21	10	4									
27	17.15	16.68	23	10	4									
28	17.83	17.32	23	10	4									
30	19.10	18.59	23	11	4									
31	19.74	19.23	23	11	4									
32	20.37	19.86	25	13	4									
34	21.65	21.14	28	14	4									
35	22.28	21.77	28	14	4									
36	22.92	22.41	28	14	4									
38	24.19	23.68	28	16	5									
40	25.46	24.96	28	16	5									
44	28.01	27.50	33	19	5	9	17	11	19	15	23	21		29
46	29.28	28.78	33	20	5									
48	30.56	30.05	35	22	5									
49	31.19	30.69	35	22	5									
50	31.83	31.32	35	22	5									
52	33.10	32.60	38	26	5									
55	35.01	34.51	41	26	6									
57	36.29	35.78	41	26	6									
60	38.20	37.69	41	28	6									
63	40.11	39.60	47	32	6									
65	41.38	40.87	47	32	6									
68	43.29	42.78	48	34	8									
72	45.84	45.33	51	34	8									
74	47.11	46.60	55	36	8									
78	49.66	49.15	55	36	8									
80	50.93	50.42	55	36	8									
84	53.48	52.97	57	38	8									
89	56.66	56.15	61	38	8									
92	58.57	58.06	65	44	8									
96	61.12	60.61	65	44	8									
99	63.03	62.52	67	46	8									
101	64.30	63.79	70	50	8									
103	65.57	65.06	70	50	8									
105	66.84	66.34	74	50	8									

Contact **TZPLUS** for made to order / customised pulley



- TPA - Aluminum
- TPS - Steel
- TPSS - Stainless Steel
- TPN - Nylon
- TPX - Customised material

**2GT**

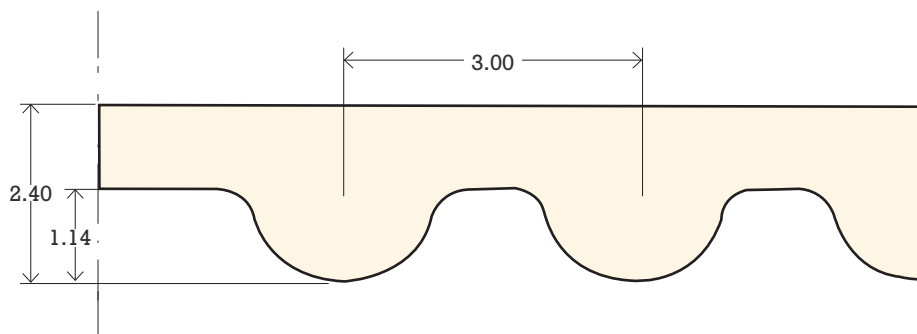
Ordering Example:

TPA - 74-2GT- 040 - 6F - NT

- 33
- 33F
- 6
- 6F
- 8F
- X - Customised
- NT - Non-treatment
- BZ - Blue Zinc
- BO - Black Oxide
- CA - Clear Anodized
- FC - Flash Chrome
- CZ - Clear Zinc
- BA - Black Anodized
- XT - Special treatment

01  
03  
05  
07  
09  
11  
13  
15  
17  
19  
21  
23  
25  
27  
29  
31  
33  
35  
37  
39  
41  
43  
45  
47  
49  
51  
53  
55  
57  
59  
61  
63  
65  
67  
69  
71  
73  
75  
77  
79  
81  
83  
85  
87  
89  
91  
93  
95  
97  
99  
101  
103  
105  
107  
109  
111  
113  
115  
117  
119  
121  
123  
125  
127  
129  
131  
133  
135  
137



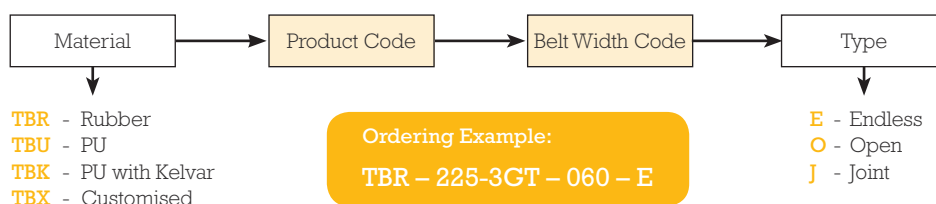


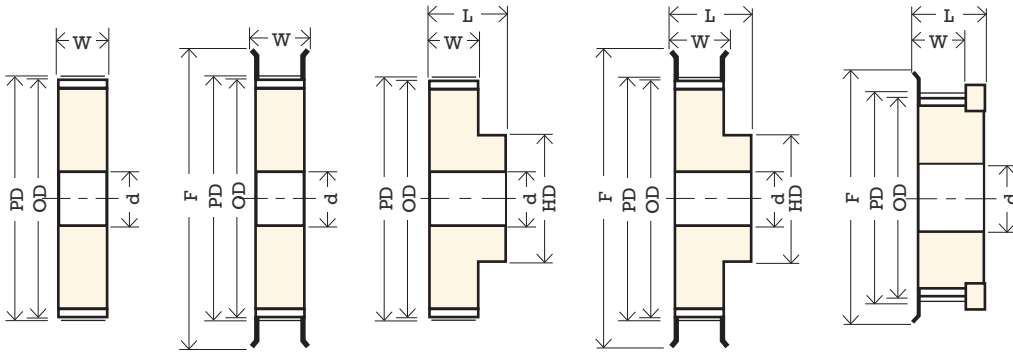
Belt Width Code	Belt Width
060	6
100	10
150	15

Dimension in mm

Teeth	Pitch Length mm	Product Code	Teeth	Pitch Length mm	Product Code	Teeth	Pitch Length mm	Product Code	Teeth	Pitch Length mm	Product Code	Teeth	Pitch Length mm	Product Code
34	102	102-3GT	79	237	237-3GT	125	375	375-3GT	186	558	558-3GT	261	783	783-3GT
35	105	105-3GT	80	240	240-3GT	126	378	378-3GT	187	561	561-3GT	263	789	789-3GT
36	108	108-3GT	81	243	243-3GT	127	381	381-3GT	188	564	564-3GT	270	810	810-3GT
37	111	111-3GT	82	246	246-3GT	128	384	384-3GT	190	570	570-3GT	274	822	822-3GT
38	114	114-3GT	83	249	249-3GT	129	387	387-3GT	192	576	576-3GT	280	840	840-3GT
39	117	117-3GT	84	252	252-3GT	131	393	393-3GT	193	579	579-3GT	284	852	852-3GT
40	120	120-3GT	85	255	255-3GT	132	396	396-3GT	194	582	582-3GT	286	858	858-3GT
41	123	123-3GT	86	258	258-3GT	133	399	399-3GT	196	588	588-3GT	290	870	870-3GT
42	126	126-3GT	88	264	264-3GT	134	402	402-3GT	197	591	591-3GT	294	882	882-3GT
43	129	129-3GT	89	267	267-3GT	135	405	405-3GT	199	597	597-3GT	300	900	900-3GT
44	132	132-3GT	90	270	270-3GT	136	408	408-3GT	200	600	600-3GT	304	912	912-3GT
45	135	135-3GT	91	273	273-3GT	138	414	414-3GT	201	603	603-3GT	308	924	924-3GT
46	138	138-3GT	92	276	276-3GT	139	417	417-3GT	204	612	612-3GT	309	927	927-3GT
47	141	141-3GT	93	279	279-3GT	140	420	420-3GT	204	612	612-3GT	312	936	936-3GT
48	144	144-3GT	94	282	282-3GT	141	423	423-3GT	206	618	618-3GT	316	948	948-3GT
49	147	147-3GT	95	285	285-3GT	142	426	426-3GT	208	624	624-3GT	320	960	960-3GT
50	150	150-3GT	96	288	288-3GT	144	432	432-3GT	211	633	633-3GT	321	963	963-3GT
52	156	156-3GT	97	291	291-3GT	148	444	444-3GT	213	639	639-3GT	322	966	966-3GT
53	159	159-3GT	99	297	297-3GT	149	447	447-3GT	214	642	642-3GT	324	972	972-3GT
54	162	162-3GT	100	300	300-3GT	151	453	453-3GT	217	651	651-3GT	327	981	981-3GT
56	168	168-3GT	101	303	303-3GT	152	456	456-3GT	218	654	654-3GT	331	993	993-3GT
58	174	174-3GT	103	309	309-3GT	153	459	459-3GT	222	666	666-3GT	332	996	996-3GT
59	177	177-3GT	104	312	312-3GT	154	462	462-3GT	224	672	672-3GT	335	1005	1005-3GT
60	180	180-3GT	105	315	315-3GT	157	471	471-3GT	225	675	675-3GT	336	1008	1008-3GT
62	186	186-3GT	106	318	318-3GT	160	480	480-3GT	227	681	681-3GT	338	1014	1014-3GT
63	189	189-3GT	108	324	324-3GT	162	486	486-3GT	229	687	687-3GT	350	1050	1050-3GT
64	192	192-3GT	109	327	327-3GT	163	489	489-3GT	230	690	690-3GT	353	1059	1059-3GT
65	195	195-3GT	110	330	330-3GT	165	495	495-3GT	231	693	693-3GT	356	1068	1068-3GT
66	198	198-3GT	111	333	333-3GT	167	501	501-3GT	233	699	699-3GT	357	1071	1071-3GT
67	201	201-3GT	112	336	336-3GT	168	504	504-3GT	234	702	702-3GT	362	1086	1086-3GT
68	204	204-3GT	113	339	339-3GT	170	510	510-3GT	235	705	705-3GT	366	1098	1098-3GT
69	207	207-3GT	114	342	342-3GT	171	513	513-3GT	236	708	708-3GT	371	1113	1113-3GT
70	210	210-3GT	115	345	345-3GT	174	522	522-3GT	240	720	720-3GT	379	1137	1137-3GT
71	213	213-3GT	116	348	348-3GT	175	525	525-3GT	243	729	729-3GT	390	1170	1170-3GT
72	216	216-3GT	117	351	351-3GT	177	531	531-3GT	247	741	741-3GT	396	1188	1188-3GT
74	222	222-3GT	118	354	354-3GT	179	537	537-3GT	248	744	744-3GT	404	1212	1212-3GT
75	225	225-3GT	119	357	357-3GT	180	540	540-3GT	250	750	750-3GT	405	1215	1215-3GT
76	228	228-3GT	121	363	363-3GT	181	543	543-3GT	252	756	756-3GT	420	1260	1260-3GT
77	231	231-3GT	122	366	366-3GT	183	549	549-3GT	255	765	765-3GT	430	1290	1290-3GT
78	234	234-3GT	123	369	369-3GT	184	552	552-3GT	258	774	774-3GT	433	1299	1299-3GT
												435	1305	1305-3GT
												442	1326	1326-3GT
												445	1335	1335-3GT
												458	1374	1374-3GT
												462	1386	1386-3GT
												474	1422	1422-3GT
												482	1446	1446-3GT
												507	1521	1521-3GT

Contact **TZPLUS** for made to order / customised belt





Belt Width Code	Belt Width
060	6
100	10
150	15

Type: 33

33F

6

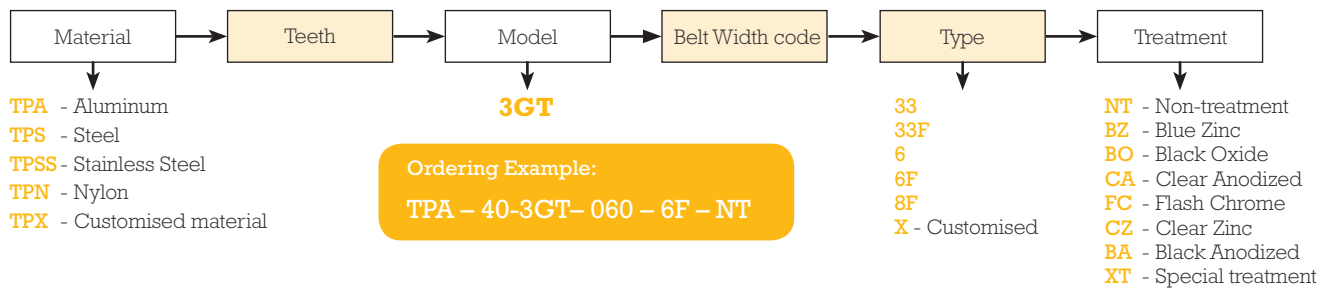
6F

8

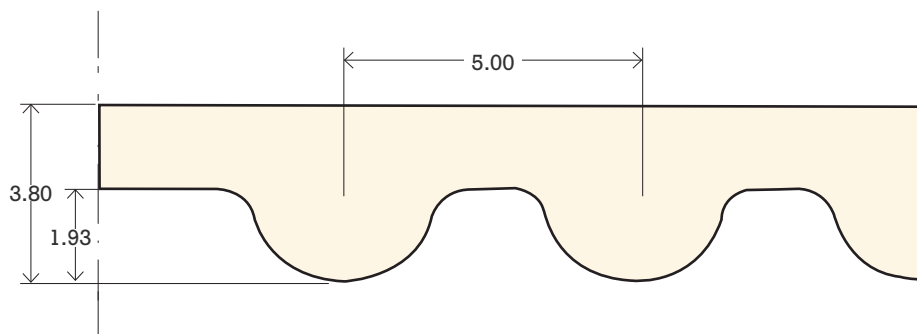
Dimension in mm

Teeth	PD	OD	F	HD	d	060 (6mm)		100 (10mm)		150 (15mm)		Type
						W	L	W	L	W	L	
10	9.55	8.79	14	12	-							8 33 33F 6 6F
11	10.50	9.74	14	12	-							
12	11.46	10.70	14	15	-							
13	12.41	11.65	16	15	-							
14	13.37	12.61	16	16	-							
15	14.32	13.56	18	16	-							
16	15.28	14.52	18	9	4							
18	17.19	16.43	23	10	6							
19	18.14	17.38	25	10	6							
20	19.10	18.34	25	10	6							
21	20.05	19.29	25	11	6							
22	21.01	20.25	25	11	6							
24	22.92	22.16	28	14	6							
25	23.87	23.11	28	14	6	11	19	15	23	21	29	
26	24.83	24.07	28	15	6							
28	26.74	25.98	31	17	6							
30	28.65	27.89	33	19	6							
32	30.56	29.80	33	20	6							
34	32.47	31.71	38	22	6							
36	34.38	33.62	38	24	6							
38	36.29	35.53	43	26	6							
40	38.20	37.44	44	28	6							
44	42.02	41.26	48	32	6							
46	43.93	43.16	51	32	6							
48	45.84	45.08	51	32	8							
60	57.30	56.54	65	36	8							
72	68.76	68.00	75	36	8							
												33 33F 6 6F

Contact **TZPLUS** for made to order / customised pulley



01  
03  
05  
07  
09  
11  
13  
15  
17  
19  
21  
23  
25  
27  
29  
31  
33  
35  
37  
39  
41  
43  
45  
47  
49  
51  
53  
55  
57  
59  
61  
63  
65  
67  
69  
71  
73  
75  
77  
**79**  
81  
83  
85  
87  
89  
91  
93  
95  
97  
99  
101  
103  
105  
107  
109  
111  
113  
115  
117  
119  
121  
123  
125  
127  
129  
131  
133  
135  
137

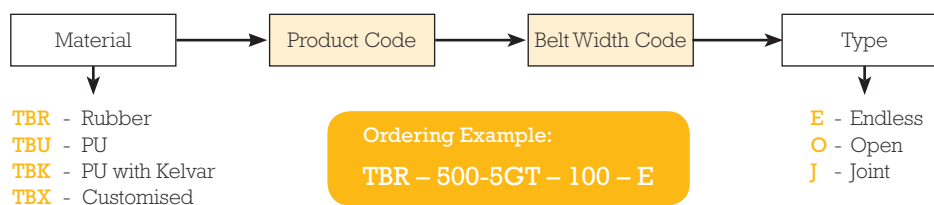


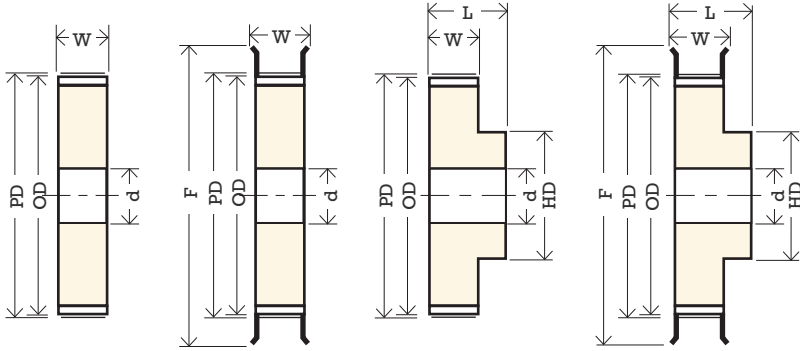
Belt Width Code	Belt Width
100	10
150	15
250	25

Dimension in mm

Teeth	Pitch Length mm	Product Code	Teeth	Pitch Length mm	Product Code	Teeth	Pitch Length mm	Product Code
37	185	185-5GT	105	525	525-5GT	180	900	900-5GT
45	225	225-5GT	106	530	530-5GT	184	920	920-5GT
46	230	230-5GT	108	540	540-5GT	187	935	935-5GT
48	240	240-5GT	109	545	545-5GT	192	960	960-5GT
49	245	245-5GT	110	550	550-5GT	194	970	970-5GT
50	250	250-5GT	112	560	560-5GT	200	1000	1000-5GT
51	255	255-5GT	113	565	565-5GT	203	1015	1015-5GT
52	260	260-5GT	114	570	570-5GT	205	1025	1025-5GT
54	270	270-5GT	115	575	575-5GT	210	1050	1050-5GT
55	275	275-5GT	116	580	580-5GT	216	1080	1080-5GT
59	295	295-5GT	119	595	595-5GT	218	1090	1090-5GT
60	300	300-5GT	120	600	600-5GT	229	1145	1145-5GT
63	315	315-5GT	122	610	610-5GT	231	1155	1155-5GT
64	320	320-5GT	123	615	615-5GT	233	1165	1165-5GT
68	340	340-5GT	125	625	625-5GT	234	1170	1170-5GT
70	350	350-5GT	127	635	635-5GT	236	1180	1180-5GT
72	360	360-5GT	129	645	645-5GT	238	1190	1190-5GT
73	365	365-5GT	131	655	655-5GT	242	1210	1210-5GT
74	370	370-5GT	134	670	670-5GT	245	1225	1225-5GT
75	375	375-5GT	135	675	675-5GT	250	1250	1250-5GT
77	385	385-5GT	139	695	695-5GT	254	1270	1270-5GT
78	390	390-5GT	140	700	700-5GT	258	1290	1290-5GT
80	400	400-5GT	142	710	710-5GT	263	1315	1315-5GT
81	405	405-5GT	144	720	720-5GT	266	1330	1330-5GT
82	410	410-5GT	146	730	730-5GT	278	1390	1390-5GT
83	415	415-5GT	148	740	740-5GT	280	1400	1400-5GT
84	420	420-5GT	150	750	750-5GT	288	1440	1440-5GT
86	430	430-5GT	154	770	770-5GT	295	1475	1475-5GT
87	435	435-5GT	155	775	775-5GT	300	1500	1500-5GT
88	440	440-5GT	160	800	800-5GT	306	1530	1530-5GT
90	450	450-5GT	162	810	810-5GT	307	1535	1535-5GT
92	460	460-5GT	163	815	815-5GT	310	1550	1550-5GT
93	465	465-5GT	165	825	825-5GT	317	1585	1585-5GT
94	470	470-5GT	166	830	830-5GT	323	1615	1615-5GT
95	475	475-5GT	168	840	840-5GT	326	1630	1630-5GT
97	485	485-5GT	169	845	845-5GT	335	1675	1675-5GT
98	490	490-5GT	170	850	850-5GT	338	1690	1690-5GT
100	500	500-5GT	172	860	860-5GT	343	1715	1715-5GT
101	505	505-5GT	174	870	870-5GT	360	1800	1800-5GT
102	510	510-5GT	176	880	880-5GT	375	1875	1875-5GT
104	520	520-5GT	179	895	895-5GT	392	1960	1960-5GT

Contact **TZPLUS** for made to order / customised belt





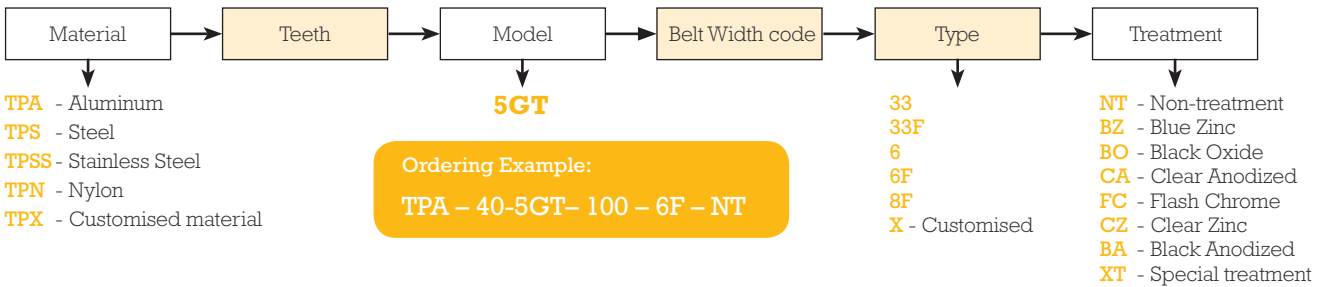
Belt Width Code	Belt Width
100	10
150	15
250	25

Type: 33                      33F                      6                      6F

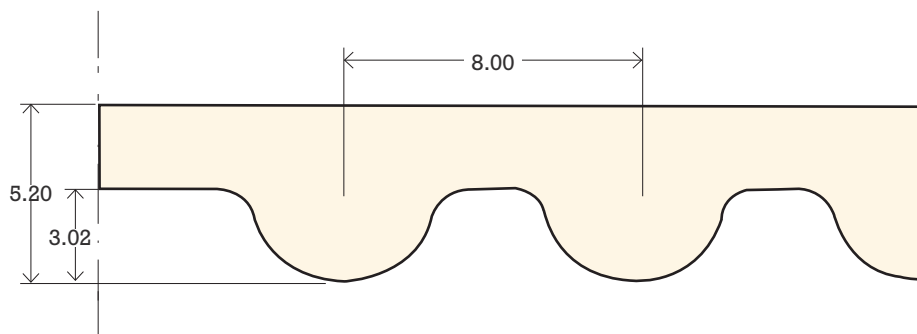
Dimension in mm

Teeth	PD	OD	F	HD	d	100 (10mm)		150 (15mm)		250 (25mm)		Type
						W	L	W	L	W	L	
12	19.10	17.96	23	11	4							33 33F 6 6F
13	20.69	19.55	25	14	5							
14	22.28	21.14	25	14	5							
15	23.87	22.73	28	16	5							
16	25.47	24.33	31	17	5							
18	28.65	27.51	33	20	5							
19	30.24	29.10	35	20	5							
20	31.83	30.69	35	22	5							
21	33.42	32.28	38	24	6							
22	35.02	33.88	38	24	6							
24	38.20	37.06	43	26	6							
25	39.79	38.65	44	28	6							
26	41.38	40.24	47	30	6							
28	44.56	43.43	48	32	6							
30	47.75	46.61	51	34	6	16	28	22	34	32	44	
32	50.93	49.79	55	37	8							
34	54.11	52.98	57	38	8							
36	57.30	56.16	61	38	8							
38	60.48	59.34	65	38	8							
40	63.66	62.52	69	38	8							
42	66.85	65.70	69	42	8							
44	70.04	68.89	75	38	8							
46	73.21	72.07	78	44	8							
48	76.40	75.26	83	45	8							
50	79.58	78.43	83	46	8							
54	85.94	84.80	91	48	8							
56	89.13	87.98	94	50	8							
58	92.31	91.71	97	50	8							
60	95.50	94.36	99	45	8							
72	114.59	113.45	118	45	8							

Contact **TZPLUS** for made to order / customised pulley



01  
03  
05  
07  
09  
11  
13  
15  
17  
19  
21  
23  
25  
27  
29  
31  
33  
35  
37  
39  
41  
43  
45  
47  
49  
51  
53  
55  
57  
59  
61  
63  
65  
67  
69  
71  
73  
75  
77  
79  
**81**  
83  
85  
87  
89  
91  
93  
95  
97  
99  
101  
103  
105  
107  
109  
111  
113  
115  
117  
119  
121  
123  
125  
127  
129  
131  
133  
135  
137

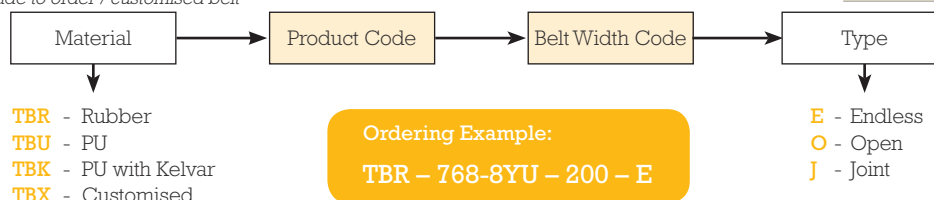


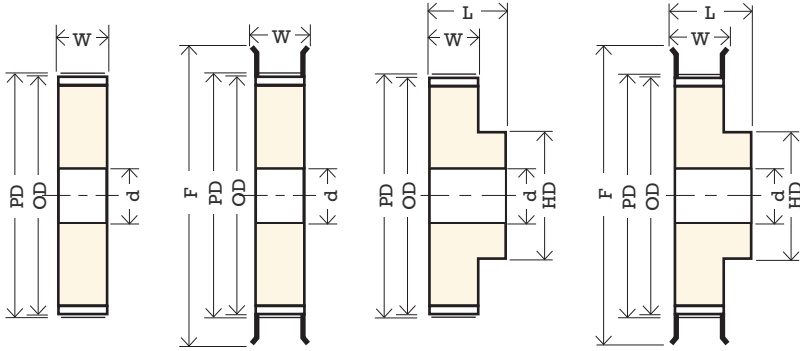
Belt Width Code	Belt Width
200	20
300	30
500	50
850	85

Dimension in mm

Teeth	Pitch Length mm	Product Code	Teeth	Pitch Length mm	Product Code	Teeth	Pitch Length mm	Product Code	Teeth	Pitch Length mm	Product Code
51	408	408-8YU	100	800	800-8YU	147	1176	1176-8YU	207	1656	1656-8YU
52	416	416-8YU	101	808	808-8YU	148	1184	1184-8YU	210	1680	1680-8YU
54	432	432-8YU	102	816	816-8YU	149	1192	1192-8YU	211	1688	1688-8YU
55	440	440-8YU	103	824	824-8YU	150	1200	1200-8YU	265	2120	1696-8YU
58	464	464-8YU	104	832	832-8YU	151	1208	1208-8YU	267	2136	1720-8YU
59	472	472-8YU	105	840	840-8YU	152	1216	1216-8YU	270	2160	1728-8YU
60	480	480-8YU	106	848	848-8YU	153	1224	1224-8YU	280	2240	1736-8YU
61	488	488-8YU	107	856	856-8YU	154	1232	1232-8YU	281	2248	1752-8YU
63	504	504-8YU	108	864	864-8YU	155	1240	1240-8YU	283	2264	1760-8YU
64	512	512-8YU	109	872	872-8YU	156	1248	1248-8YU	285	2280	1768-8YU
65	520	520-8YU	110	880	880-8YU	157	1256	1256-8YU	287	2296	1776-8YU
67	536	536-8YU	111	888	888-8YU	158	1264	1264-8YU	288	2304	1784-8YU
68	544	544-8YU	112	896	896-8YU	159	1272	1272-8YU	291	2328	1808-8YU
69	552	552-8YU	113	904	904-8YU	160	1280	1280-8YU	300	2400	1816-8YU
70	560	560-8YU	114	912	912-8YU	161	1288	1288-8YU	307	2456	1824-8YU
72	576	576-8YU	115	920	920-8YU	162	1296	1296-8YU	325	2600	1856-8YU
75	600	600-8YU	116	928	928-8YU	163	1304	1304-8YU	350	2800	1864-8YU
76	608	608-8YU	117	936	936-8YU	164	1312	1312-8YU	400	3200	1872-8YU
77	616	616-8YU	118	944	944-8YU	165	1320	1320-8YU	430	3440	1888-8YU
78	624	624-8YU	119	952	952-8YU	166	1328	1328-8YU	237	1896	1896-8YU
79	632	632-8YU	120	960	960-8YU	167	1336	1336-8YU	239	1912	1912-8YU
80	640	640-8YU	121	968	968-8YU	168	1344	1344-8YU	241	1928	1928-8YU
82	656	656-8YU	122	976	976-8YU	169	1352	1352-8YU	243	1944	1944-8YU
83	664	664-8YU	123	984	984-8YU	170	1360	1360-8YU	244	1952	1952-8YU
85	680	680-8YU	124	992	992-8YU	172	1376	1376-8YU	247	1976	1976-8YU
88	704	704-8YU	125	1000	1000-8YU	173	1384	1384-8YU	250	2000	2000-8YU
90	720	720-8YU	126	1008	1008-8YU	174	1392	1392-8YU	257	2056	2056-8YU
91	728	728-8YU	127	1016	1016-8YU	175	1400	1400-8YU	259	2072	2072-8YU
93	744	744-8YU	129	1032	1032-8YU	176	1408	1408-8YU	265	2120	2120-8YU
94	752	752-8YU	130	1040	1040-8YU	177	1416	1416-8YU	267	2136	2136-8YU
95	760	760-8YU	133	1064	1064-8YU	178	1424	1424-8YU	270	2160	2160-8YU
96	768	768-8YU	134	1072	1072-8YU	179	1432	1432-8YU	280	2240	2240-8YU
97	776	776-8YU	135	1080	1080-8YU	180	1440	1440-8YU	281	2248	2248-8YU
98	784	784-8YU	136	1088	1088-8YU	181	1448	1448-8YU	283	2264	2264-8YU
99	792	792-8YU	137	1096	1096-8YU	187	1496	1496-8YU	285	2280	2280-8YU
91	728	728-8YU	139	1112	1112-8YU	190	1520	1520-8YU	287	2296	2296-8YU
93	744	744-8YU	140	1120	1120-8YU	193	1544	1544-8YU	288	2304	2304-8YU
94	752	752-8YU	141	1128	1128-8YU	196	1568	1568-8YU	291	2328	2328-8YU
95	760	760-8YU	142	1136	1136-8YU	197	1576	1576-8YU	300	2400	2400-8YU
96	768	768-8YU	143	1144	1144-8YU	200	1600	1600-8YU	307	2456	2456-8YU
97	776	776-8YU	144	1152	1152-8YU	201	1608	1608-8YU	325	2600	2600-8YU
98	784	784-8YU	145	1160	1160-8YU	202	1616	1616-8YU	350	2800	2800-8YU
99	792	792-8YU	146	1168	1168-8YU	205	1640	1640-8YU	400	3200	3200-8YU
									430	3440	3440-8YU

Contact **TZPLUS** for made to order / customised belt





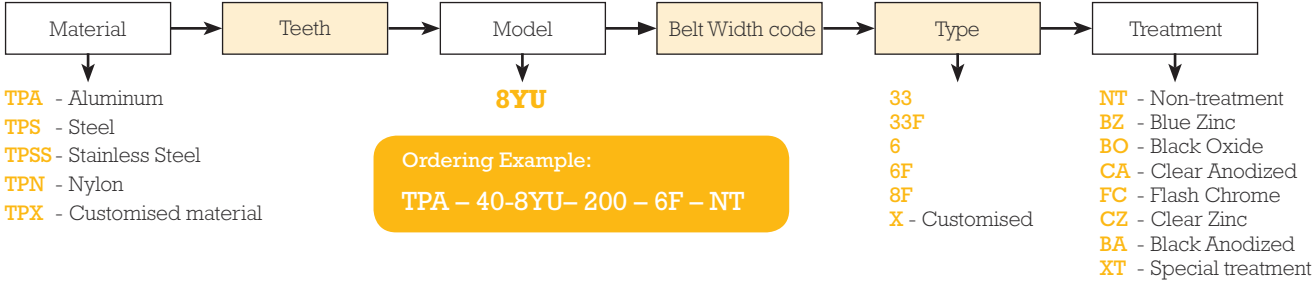
Belt Width Code	Belt Width
200	20
300	30
500	50
850	85

Type: 33                      33F                      6                      6F

Dimension in mm

Teeth	PD	OD	F	HD	d	200 (20mm)		300 (30mm)		500 (50mm)		850 (85mm)		Type
						W	L	W	L	W	L	W	L	
18	45.84	44.47	48	32	10									33 33F 6 6F
19	48.38	47.01	51	32	10									
20	50.93	49.56	54	35	10									
21	53.48	52.11	57	39	10									
22	56.03	54.65	61	43	12									
24	61.12	59.75	67	45	12									
26	66.21	64.84	70	50	12									
28	71.30	69.93	75	50	15		37		48		53		64	
30	76.40	75.03	83	55	15									
32	81.49	80.12	86	60	15									
34	86.58	85.21	91	70	15									
36	91.68	90.31	97	70	15									
38	96.77	95.40	105	75	15	22		33		38		49		
40	101.86	100.49	105	75	15									
44	112.05	110.68	119	75	15									
48	122.23	120.86	126	75	15									
56	142.61	141.24	146	80	15									
64	162.98	161.61	165	80	15									
72	183.35	181.98	190	80	15									
80	203.72	202.35	208	90	15		42		53		58		69	
90	229.19	227.82	-	90	15									
112	285.21	283.84	-	90	18									
144	366.70	365.33	-	90	20									
168	427.82	456.45	-	100	20									
192	488.94	487.57	-	100	20									

Contact TZPLUS for made to order / customised pulley



01  
03  
05  
07  
09  
11  
13  
15  
17  
19  
21  
23  
25  
27  
29  
31  
33  
35  
37  
39  
41  
43  
45  
47  
49  
51  
53  
55  
57  
59  
61  
63  
65  
67  
69  
71  
73  
75  
77  
79  
81  
**83**  
85  
87  
89  
91  
93  
95  
97  
99  
101  
103  
105  
107  
109  
111  
113  
115  
117  
119  
121  
123  
125  
127  
129  
131  
133  
135  
137